

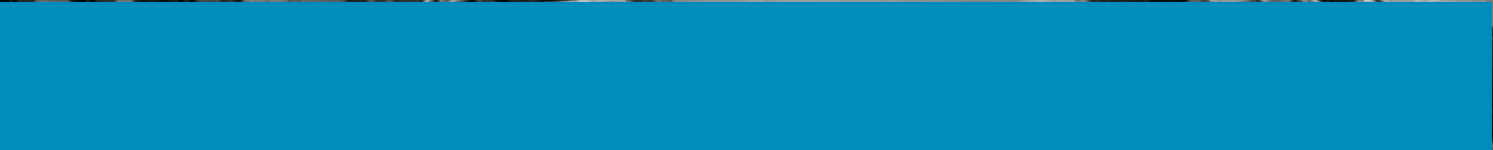


Medical

MEDICAL GAS OUTLETS

DIN 13260-2 | BS 5682:2015 | SS 875 24 30
AFNOR NF S 90-116 / FD S 90-119 | AS 2896 | JIS T 7101
SANS 1409:2015 | UNI 9507 | ENV 737-6 | EN 15908
SDEGA EN ISO 9170-2 | AIR MOTOR







Battenfeld

BA 800 CDC

Battenfeld

BA 800 CDC

33

IM 13

REPARTS
PRESSE

32



Our ideas our strength.

A fast information,
order management and
flexibility of production,
are the basis of our
service.



SUMMARY

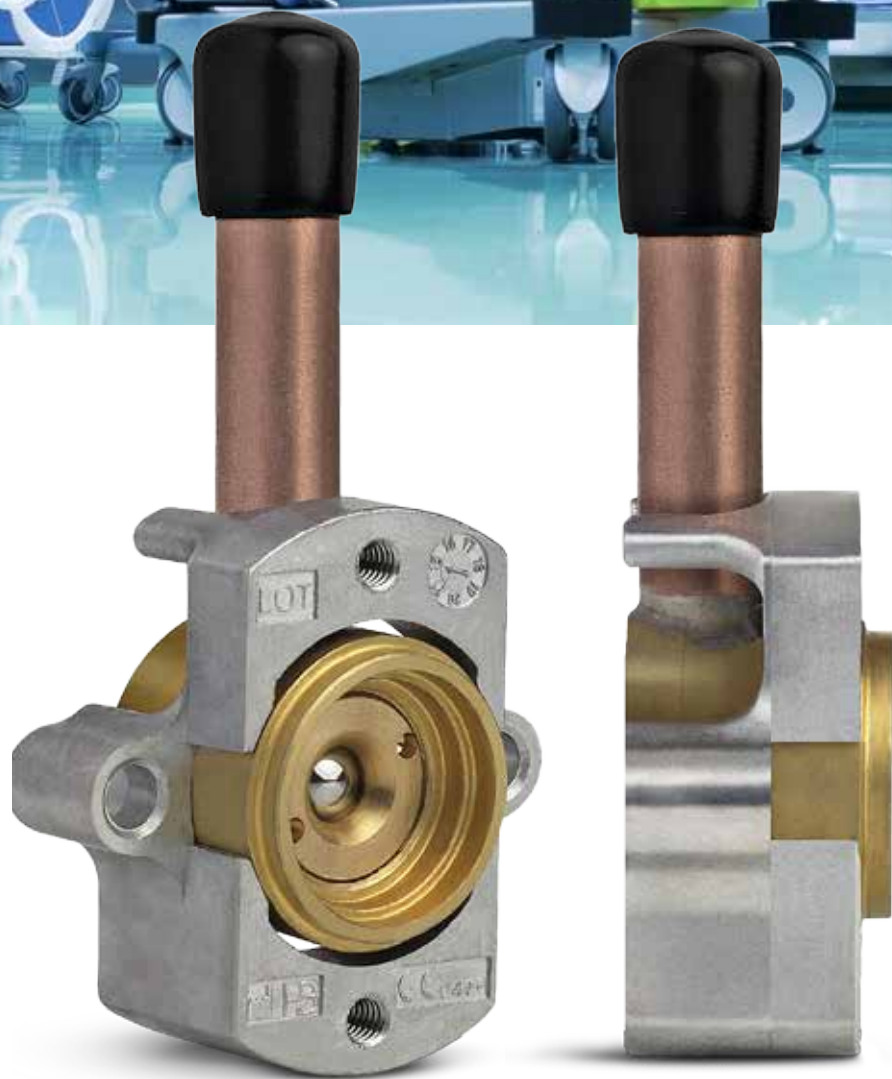
Gas outlets OR range	6
Base block	8
Socket	20
Plastic box	36
Gas outlets UNI 9507 and AFNOR NFS 90-116	38
Base block	40
Socket	42
Plastic box	45
NIST connectors	46
Anaesthetic Gas Scavenging System (AGSS) and Air Motor	50
Adapters for ambulances	58
Adapters for aircrafts and helicopters	65
Flow-meter	69
Flow-meter c/w humidifier	72
Mini Socket for flow-meter	77
Flexible hoses for medical gas	81





GAS OUTLETS OR RANGE

The terminal units of a medical gas pipeline system are devices used to make connections and disconnections in order to provide specific medical gases to medical devices, pulmonary ventilators or other appliances. An incorrect connection puts to hazard the life of patients, therefore the terminal units have been designed following different technical standards so to grant a non-interchangeability among different gases and prevent from any possible mistake. The OR range socket can be fixed to the base block in only one position. The profile of the installed socket is always in the correct position.



BASE BLOCK OR RANGE

This component is the part of the terminal unit connected to the medical gas pipeline distribution system (suction in case of vacuum). The base blocks are designed complying with the standard EN ISO 9170-1 for design and manufacture requirements. All base blocks, except those for vacuum, are supplied with a maintenance valve to be fitted after the plumbing is completed.

Brass/zamac base block c/w vertical copper pipe			
P/N	A	Ø B	GAS
ZARMOR08-T-OZ	36	8	OXYGEN
ZARMOR08-T-VZ	36	8	VACUUM
ZARMOR08-T-A4Z	36	8	AIR
ZARMOR08-T-PZ	36	8	NITROUS OXIDE
ZARMOR08-T-A8Z	36	8	AIR-800
ZARMOR08-T-CZ	36	8	CARBON DIOXIDE
ZARMOR08-T-NZ	36	8	NITROGEN
C/w plug for test.			

Brass/zamac base block c/w vertical copper pipe			
P/N	A	Ø B	GAS
ZARMOR10-T-OZ	36	10	OXYGEN
ZARMOR10-T-VZ	36	10	VACUUM
ZARMOR10-T-A4Z	36	10	AIR
ZARMOR10-T-PZ	36	10	NITROUS OXIDE
ZARMOR10-T-A8Z	36	10	AIR-800
ZARMOR10-T-CZ	36	10	CARBON DIOXIDE
ZARMOR10-T-NZ	36	10	NITROGEN
C/w plug for test.			

NEW VERSION 2017

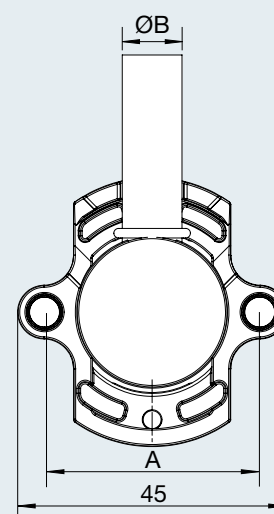
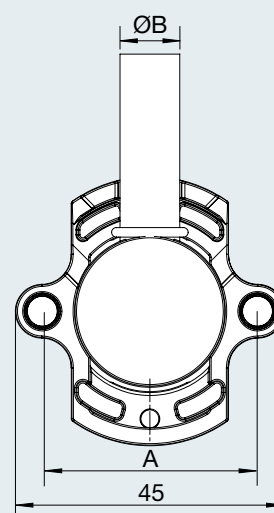
Materials:

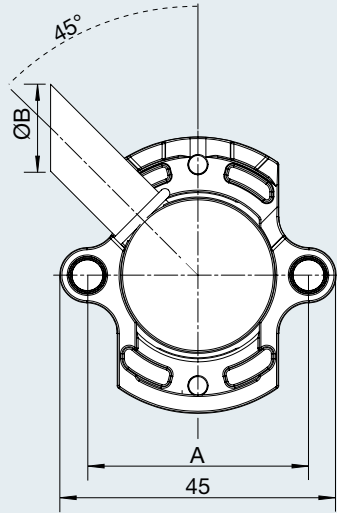
Brass EN 12164 - CuZn39Pb3

ZAMAC

EPDM

AISI

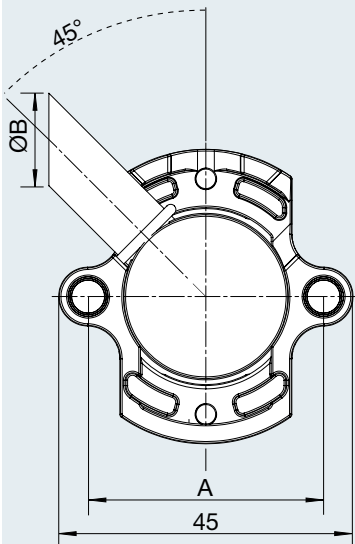




Brass/zamac base block c/w 45° copper pipe

P/N	A	Ø B	GAS
ZARMOR08-45T-OZ	36	8	OXYGEN
ZARMOR08-45T-VZ	36	8	VACUUM
ZARMOR08-45T-A4Z	36	8	AIR
ZARMOR08-45T-PZ	36	8	NITROUS OXIDE
ZARMOR08-45T-A8Z	36	8	AIR-800
ZARMOR08-45T-CZ	36	8	CARBON DIOXIDE
ZARMOR08-45T-NZ	36	8	NITROGEN

C/w plug for test.



Brass/zamac base block c/w 45° copper pipe

P/N	A	Ø B	GAS
ZARMOR10-45T-OZ	36	10	OXYGEN
ZARMOR10-45T-VZ	36	10	VACUUM
ZARMOR10-45T-A4Z	36	10	AIR
ZARMOR10-45T-PZ	36	10	NITROUS OXIDE
ZARMOR10-45T-A8Z	36	10	AIR-800
ZARMOR10-45T-CZ	36	10	CARBON DIOXIDE
ZARMOR10-45T-NZ	36	10	NITROGEN

C/w plug for test.

Brass/zamac base block c/w 135° copper pipe

P/N	A	Ø B	GAS
ZARMOR08-135T-OZ	36	8	OXYGEN
ZARMOR08-135T-VZ	36	8	VACUUM
ZARMOR08-135T-A4Z	36	8	AIR
ZARMOR08-135T-PZ	36	8	NITROUS OXIDE
ZARMOR08-135T-A8Z	36	8	AIR-800
ZARMOR08-135T-CZ	36	8	CARBON DIOXIDE
ZARMOR08-135T-NZ	36	8	NITROGEN

C/w plug for test.

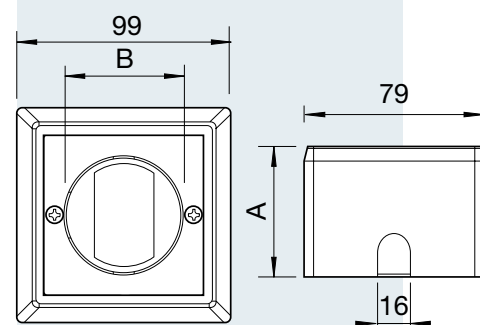
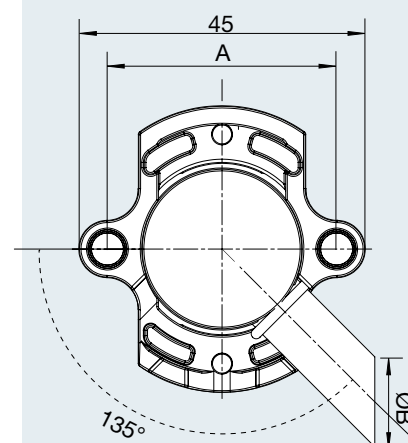
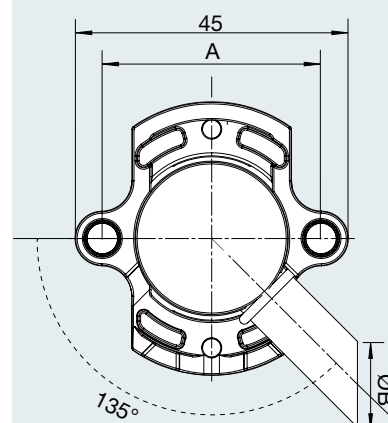
Brass/zamac base block c/w 135° copper pipe

P/N	A	Ø B	GAS
ZARMOR10-135T-OZ	36	10	OXYGEN
ZARMOR10-135T-VZ	36	10	VACUUM
ZARMOR10-135T-A4Z	36	10	AIR
ZARMOR10-135T-PZ	36	10	NITROUS OXIDE
ZARMOR10-135T-A8Z	36	10	AIR-800
ZARMOR10-135T-CZ	36	10	CARBON DIOXIDE
ZARMOR10-135T-NZ	36	10	NITROGEN

C/w plug for test.

Box without lid for brass/zamac base block

P/N	Ø	PER
ZBOX-GT-OR / OA	55	BS, ENV, JIS
ZBOX-GT-OR / OA / 1	46	DIN, SS



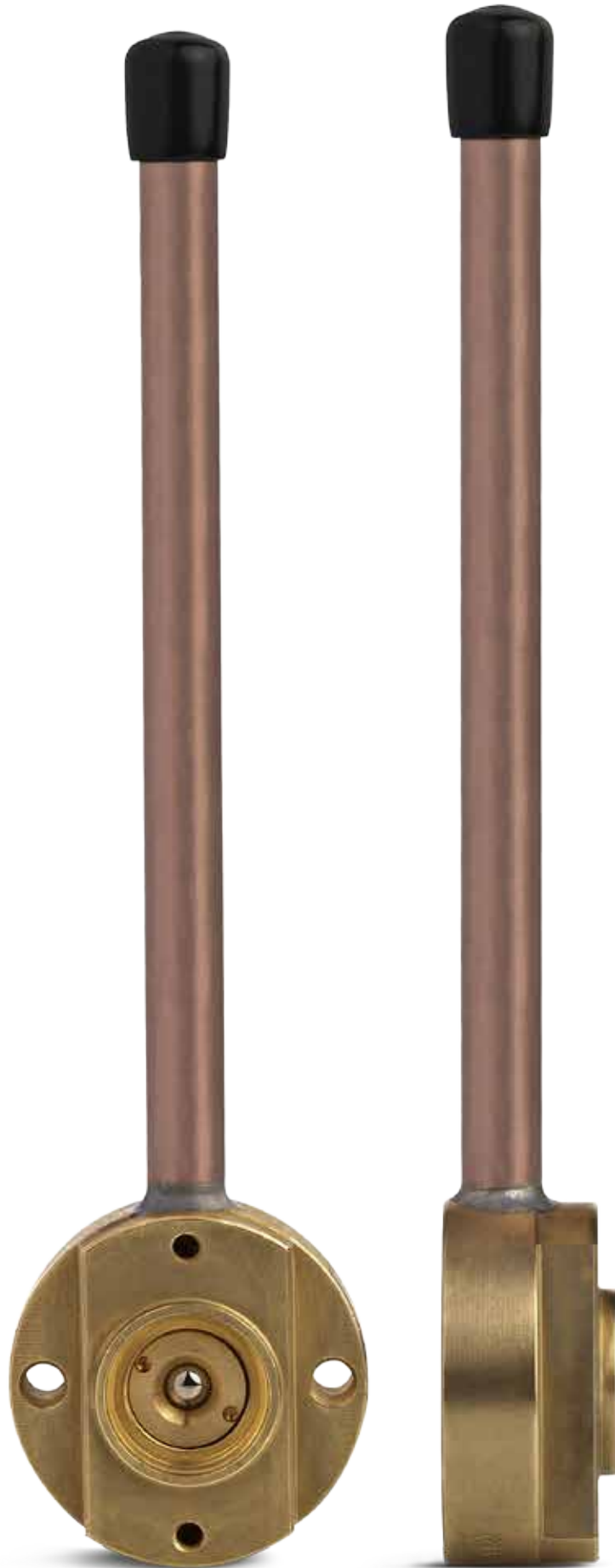
STANDARD VERSION

Materials:

Brass EN 12164
- CuZn39Pb3

EPDM

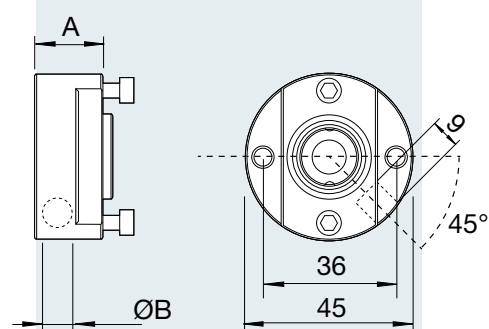
AISI



Brass base block c/w 45° hole

P/N	A	Ø B	GAS
ZARMOR-45-O	18,7	8	OXYGEN
ZARMOR-45-V	18,7	8	VACUUM
ZARMOR-45-A4	18,7	8	AIR
ZARMOR-45-P	18,7	8	NITROUS OXIDE
ZARMOR-45-A8	18,7	8	AIR-800
ZARMOR-45-C	18,7	8	CARBON DIOXIDE
ZARMOR-45-OP	18,7	8	OXYGEN/NITROUS OXIDE
ZARMOR10-45-O	18,7	10	OXYGEN
ZARMOR10-45-V	18,7	10	VACUUM
ZARMOR10-45-A4	18,7	10	AIR
ZARMOR10-45-P	18,7	10	NITROUS OXIDE
ZARMOR10-45-A8	18,7	10	AIR-800
ZARMOR10-45-C	18,7	10	CARBON DIOXIDE
ZARMOR10-45-OP	18,7	10	OXYGEN/NITROUS OXIDE

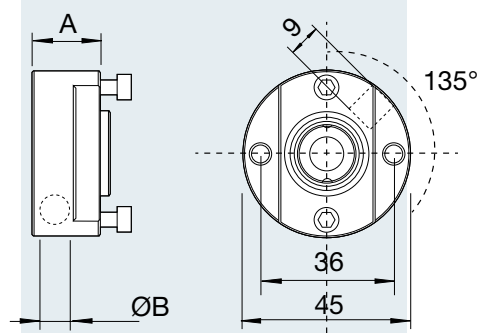
C/w plug for test.

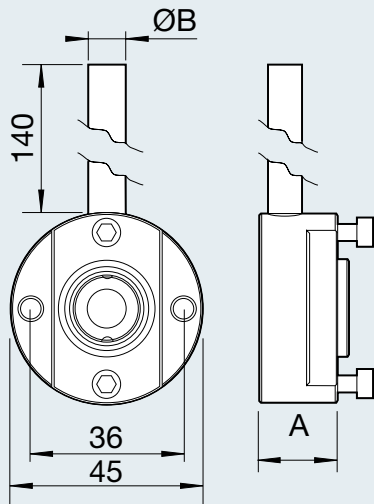
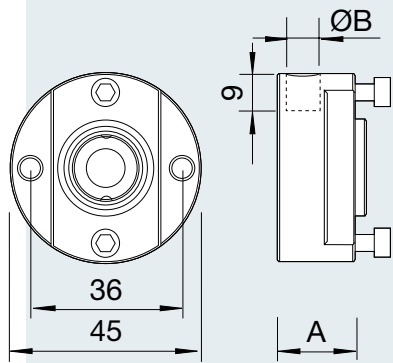


BRASS base block c/w 135° hole

P/N	A	Ø B	GAS
ZARMOR-135-O	18,7	8	OXYGEN
ZARMOR-135-V	18,7	8	VACUUM
ZARMOR-135-A4	18,7	8	AIR
ZARMOR-135-P	18,7	8	NITROUS OXIDE
ZARMOR-135-A8	18,7	8	AIR-800
ZARMOR-135-C	18,7	8	CARBON DIOXIDE
ZARMOR-135-N	18,7	8	NITROGEN

C/w plug for test.





Vertical inlet brass base block

P/N	A	Ø B	GAS
ZARMOR-O	18,7	8	OXYGEN
ZARMOR-V	18,7	8	VACUUM
ZARMOR-A4	18,7	8	AIR
ZARMOR-P	18,7	8	NITROUS OXIDE
ZARMOR-A8	18,7	8	AIR-800
ZARMOR-C	18,7	8	CARBON DIOXIDE
ZARMOR-OP	18,7	8	OXYGEN/NITROUS OXIDE
ZARMOR10-O	18,7	10	OXYGEN
ZARMOR10-V	18,7	10	VACUUM
ZARMOR10-A4	18,7	10	AIR
ZARMOR10-P	18,7	10	NITROUS OXIDE
ZARMOR10-A8	18,7	10	AIR-800
ZARMOR10-C	18,7	10	CARBON DIOXIDE
ZARMOR10-OP	18,7	10	OXYGEN/NITROUS OXIDE

C/w plug for test.

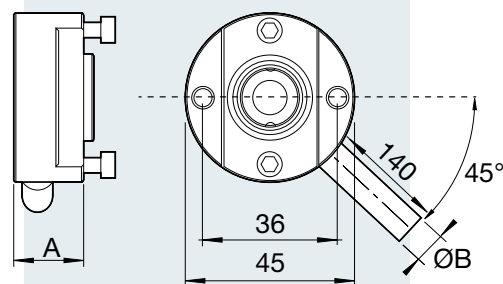
Brass base block c/w vertical copper pipe

P/N	A	Ø B	GAS
ZARMOR-T-O	18,7	8	OXYGEN
ZARMOR-T-V	18,7	8	VACUUM
ZARMOR-T-A4	18,7	8	AIR
ZARMOR-T-P	18,7	8	NITROUS OXIDE
ZARMOR-T-A8	18,7	8	AIR-800
ZARMOR-T-C	18,7	8	CARBON DIOXIDE
ZARMOR-T-OP	18,7	8	OXYGEN/NITROUS OXIDE
ZARMOR10-T-O	18,7	10	OXYGEN
ZARMOR10-T-V	18,7	10	VACUUM
ZARMOR10-T-A4	18,7	10	AIR
ZARMOR10-T-P	18,7	10	NITROUS OXIDE
ZARMOR10-T-A8	18,7	10	AIR-800
ZARMOR10-T-C	18,7	10	CARBON DIOXIDE
ZARMOR10-T-N	18,7	10	NITROGEN
ZARMOR10-T-OP	18,7	10	OXYGEN/NITROUS OXIDE

C/w plug for test.

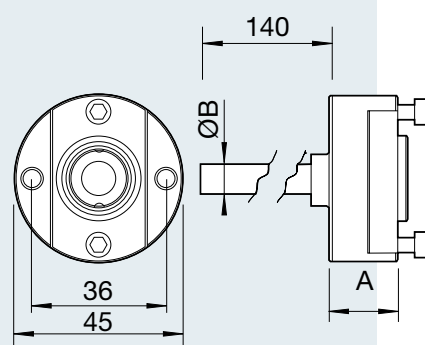
Brass base block c/w 45° copper pipe			
P/N	A	Ø B	GAS
ZARMOR-45T-O/1	18,7	8	OXYGEN
ZARMOR-45T-V/1	18,7	8	VACUUM
ZARMOR-45T-A4/1	18,7	8	AIR
ZARMOR-45T-P/1	18,7	8	NITROUS OXIDE
ZARMOR-45T-A8/1	18,7	8	AIR-800
ZARMOR-45T-C/1	18,7	8	CARBON DIOXIDE
ZARMOR-45T-OP/1	18,7	8	OXYGEN/NITROUS OXIDE
ZARMOR1045T-O/1	18,7	10	OXYGEN
ZARMOR1045T-V/1	18,7	10	VACUUM
ZARMOR1045TA4/1	18,7	10	AIR
ZARMOR1045T-P/1	18,7	10	NITROUS OXIDE
ZARMOR1045TA8/1	18,7	10	AIR-800
ZARMOR1045T-C/1	18,7	10	CARBON DIOXIDE
ZARMOR1045TOP/1	18,7	10	OXYGEN/NITROUS OXIDE

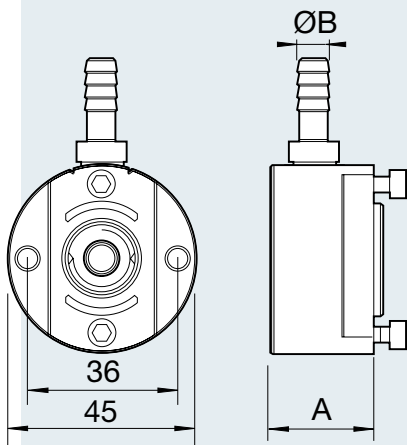
C/w plug for test.



Brass base block c/w back copper pipe			
P/N	A	Ø B	GAS
ZARMORD-T-O	23,7	8	OXYGEN
ZARMORD-T-V	23,7	8	VACUUM
ZARMORD-T-A4	23,7	8	AIR
ZARMORD-T-P	23,7	8	NITROUS OXIDE
ZARMORD-T-A8	23,7	8	AIR-800
ZARMORD-T-C	23,7	8	CARBON DIOXIDE
ZARMORD-T-N	23,7	8	NITROGEN

C/w plug for test.

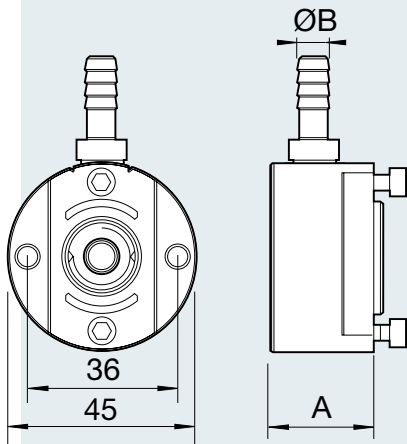




Brass base block for flexible hose

P/N	A	Ø B	GAS
ZARMOR-PG6-O	23,7	6	OXYGEN
ZARMOR-PG8-V	23,7	8	VACUUM
ZARMOR-PG6-A4	23,7	6	AIR
ZARMOR-PG6-P	23,7	6	NITROUS OXIDE
ZARMOR-PG6-A8	23,7	6	AIR-800
ZARMOR-PG6-C	23,7	6	CARBON DIOXIDE
ZARMOR-PG6-N	23,7	6	NITROGEN

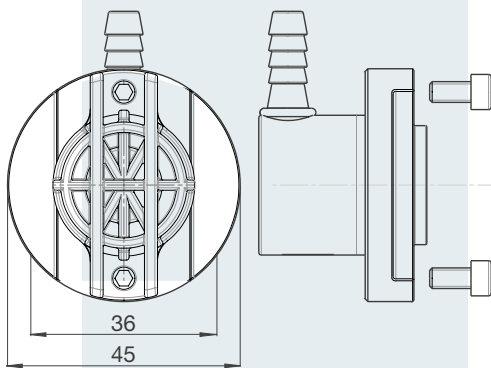
C/w plug for test.



Swivel base block for flexible hose

P/N	A	Ø B	GAS
ZARMOR-PG6-O/1	21,3	6	OXYGEN
ZARMOR-PG8-V/1	21,3	8	VACUUM
ZARMOR-PG6-A4/1	21,3	6	AIR
ZARMOR-PG6-P/1	21,3	6	NITROUS OXIDE
ZARMOR-PG6-A8/1	21,3	6	AIR-800
ZARMOR-PG6-C/1	21,3	6	CARBON DIOXIDE
ZARMOR-PG6-N/1	21,3	6	NITROGEN

C/w plug for test.



Swivel base block for flexible hose

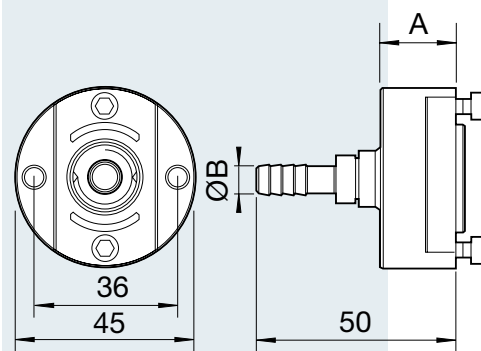
P/N	A	Ø B	GAS
ZARMOR-PG6-O	30	6	OXYGEN
ZARMOR-PG8-V	30	8	VACUUM
ZARMOR-PG6-A4	30	6	AIR
ZARMOR-PG6-P	30	6	NITROUS OXIDE
ZARMOR-PG6-A8	30	6	AIR-800
ZARMOR-PG6-C	30	6	CARBON DIOXIDE
ZARMOR-PG6-N	30	6	NITROGEN

C/w plug for test.

Brass base block for flexible hose

P/N	A	Ø B	GAS
ZARMORD-O-PG6	18,7	6	OXYGEN
ZARMORD-V-PG8	18,7	8	VACUUM
ZARMORD-A4-PG6	18,7	6	AIR
ZARMORD-P-PG6	18,7	6	NITROUS OXIDE
ZARMORD-A8-PG6	18,7	6	AIR-800
ZARMORD-C-PG6	18,7	6	CARBON DIOXIDE
ZARMORD-N-PG6	18,7	6	NITROGEN

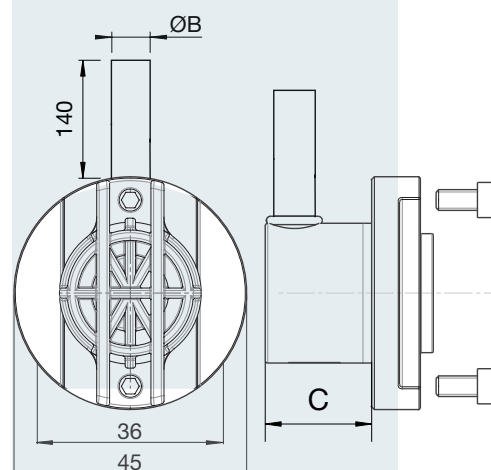
C/w plug for test.



Swivel base block c/w vertical copper pipe

P/N	A	Ø B	C	GAS
ZARMORG-T-O	30	8	20,6	OXYGEN
ZARMORG-T-V	30	8	20,6	VACUUM
ZARMORG-T-A4	30	8	20,6	AIR
ZARMORG-T-P	30	8	20,6	NITROUS OXIDE
ZARMORG-T-A8	30	8	20,6	AIR-800
ZARMORG-T-C	30	8	20,6	CARBON DIOXIDE
ZARMORG-T-N	30	8	20,6	NITROGEN

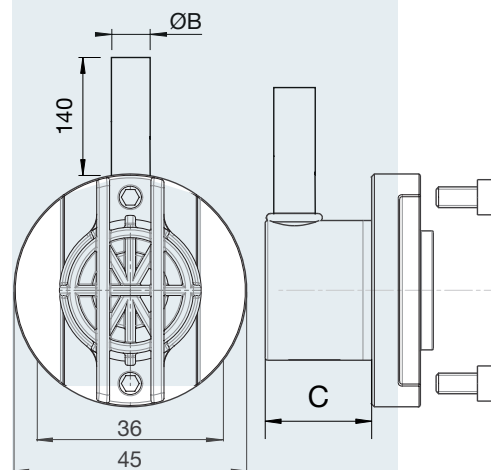
C/w plug for test.

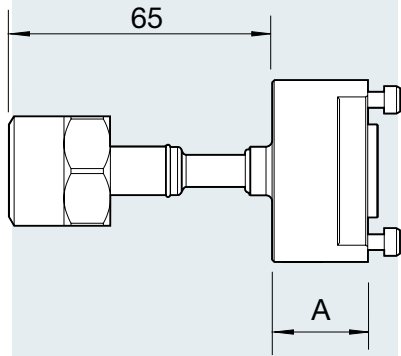


Swivel base block c/w vertical copper pipe

P/N	A	Ø B	C	GAS
ZARMORG10-T-O	30	10	21,3	OXYGEN
ZARMORG10-T-V	30	10	21,3	VACUUM
ZARMORG10-T-A4	30	10	21,3	AIR
ZARMORG10V-T-P	30	10	21,3	NITROUS OXIDE
ZARMORG10-T-A8	30	10	21,3	AIR-800
ZARMORG10-T-C	30	10	21,3	CARBON DIOXIDE
ZARMORG10-T-N	30	10	21,3	NITROGEN

C/w plug for test.

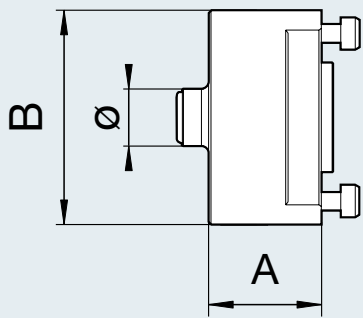




Brass base block c/w NIST connector

P/N	A	GAS
ZARMORD-O-MNIST	23,7	OXYGEN
ZARMORD-V-MNIST	23,7	VACUUM
ZARMORD-A4-MNIST	23,7	AIR
ZARMORD-P-MNIST	23,7	NITROUS OXIDE
ZARMORD-A8-MNIST	23,7	AIR-800
ZARMORD-C-MNIST	23,7	CARBON DIOXIDE
ZARMORD-N-MNIST	23,7	NITROGEN

C/w plug for test.



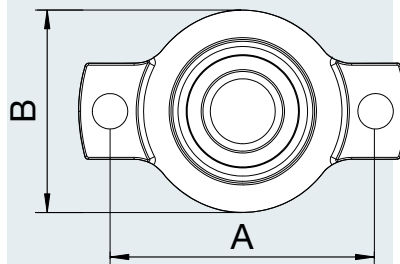
Brass base block c/w near inlet

P/N	A	B	Ø	GAS
ZARMORD-O-1	23,7	45	10	OXYGEN
ZARMORD-V-1	23,7	45	13	VACUUM
ZARMORD-A4-1	23,7	45	10	AIR
ZARMORD-P-1	23,7	45	10	NITROUS OXIDE
ZARMORD-A8-1	23,7	45	10	AIR-800
ZARMORD-C-1	23,7	45	10	CARBON DIOXIDE
ZARMORD-N-1	23,7	45	10	NITROGEN

C/w plug for test.

Plug for base block or range

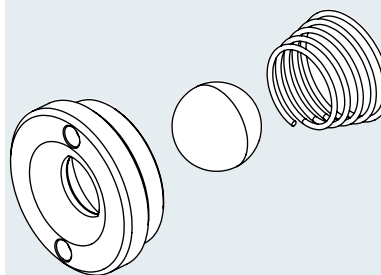
P/N	A	B
AGT-OR/TP/001	36	27,5



SPARE PART

Spare part kit for base block

P/N	GAS
ZARMOR/VNR	ALL



NEW VERSION 2017



SOCKETS OR RANGE

The socket is the female part of the terminal unit connected to the base block by a gas specific interface and which contains the gasspecific connecting point. These sockets have been designed in accordance with the following standards:

BS 5682:1998, DIN 13260-2, NF S 90-116, FD S 90-119, SS 875 24 30, JIS T 7101, AS 2896 and ENV 737-6 for the dimensions of linking point to the probe;
EN ISO 9170-1 for design and manufacture requirements.

Materials:

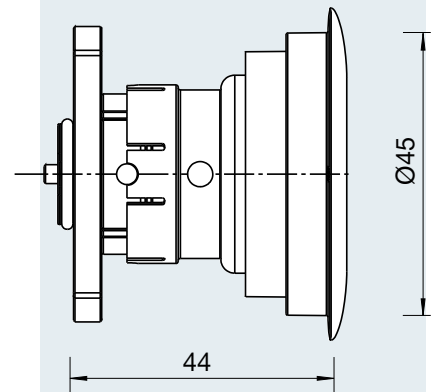
Brass EN 12164 - CuZn39Pb3 nickel plated
EPDM-PEROX
AISI
ABS/POM

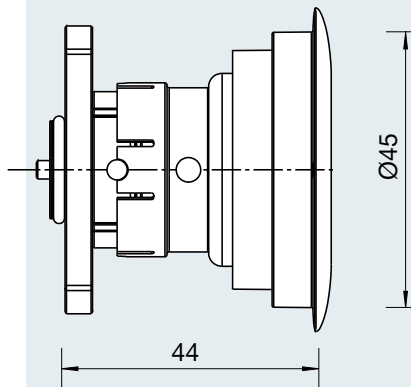
DIN 13260-2

New DIN 13260-2 socket c/w metal sleeve

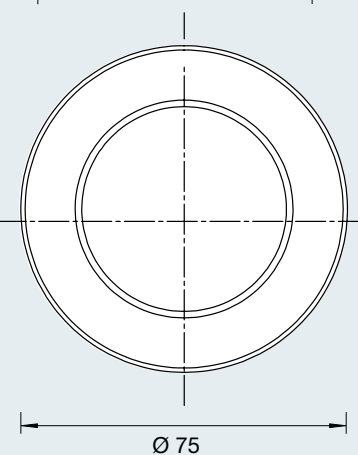
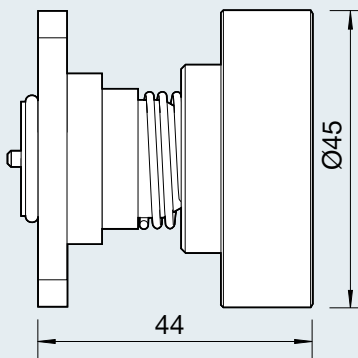
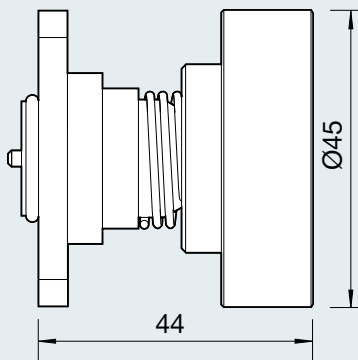
P/N	GAS
VGTD-OR-O/PB	OXYGEN
VGTD-OR-V/PB	VACUUM
VGTD-OR-A4/PB	AIR
VGTD-OR-P/PB	NITROUS OXIDE
VGTD-OR-A8/PB	AIR-800
VGTD-OR-C/PB	CARBON DIOXIDE
VGTD-OR-N/PB	NITROGEN

Supplied with releaser sleeve that can be custom made on request.





STANDARD VERSION



New Plastic DIN 13260-2 socket full plastic

P/N	GAS
VGTDPO-OR-O/PB	OXYGEN
VGTDPO-OR-V/PB	VACUUM
VGTDPO-OR-A4/PB	AIR
VGTDPO-OR-P/PB	NITROUS OXIDE
VGTDPO-OR-A8/PB	AIR-800
VGTDPO-OR-C/PB	CARBON DIOXIDE
VGTDPO-OR-N/PB	NITROGEN

DIN 13260-2 socket

P/N	GAS
VGTDMO-OR-O	OXYGEN
VGTDMO-OR-V	VACUUM
VGTDMO-OR-A4	AIR
VGTDMO-OR-P	NITROUS OXIDE
VGTDMO-OR-A8	AIR-800
VGTDMO-OR-C	CARBON DIOXIDE
VGTDMO-OR-N	NITROGEN

DIN 13260-2 horizontal socket for flow-meter

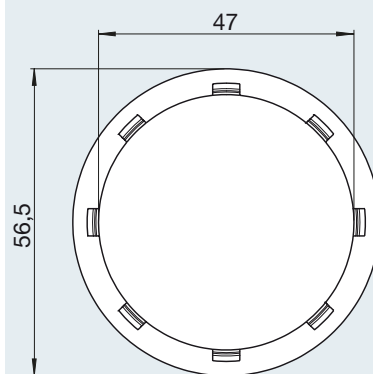
P/N	GAS
VGTDMHO-OR-O	OXYGEN
VGTDMHO-OR-C	CARBON DIOXIDE
VGTDMHO-OR-N	NITROGEN

Supplied with releaser sleeve that can be custom made on request.

DIN 13260-2 profile cover for pendant and bed head unit / pendant

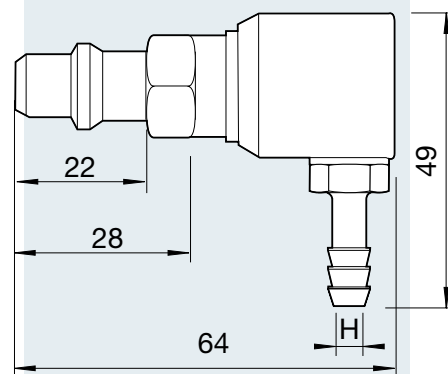
P/N	GAS	COLOUR
ZGHD75-O	OXYGEN	WHITE
ZGHD75-V	VACUUM	YELLOW
ZGHD75-A4	AIR	BLACK
ZGHD75-P	NITROUS OXIDE	BLUE
ZGHD75-C	CARBON DIOXIDE	GREY

DIN 13260-2 profile cover		
P/N	GAS	COLOUR
PVGT-116	OXYGEN	BLACK
PVGT-116/001	VACUUM	WHITE
PVGT-116/002	AIR	YELLOW
PVGT-116/003	NITROUS OXIDE	BLUE



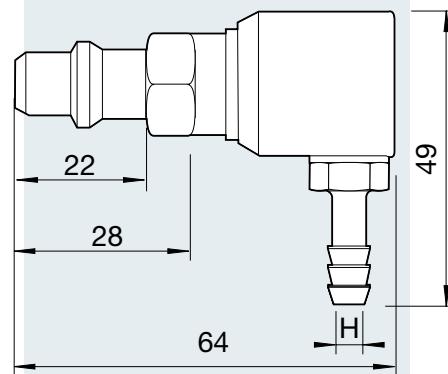
DIN 13260-2 PROBE

Elbow barb end probe			
P/N	DISTINCTIVE COLOUR	H	GAS
IGTGD-PG6-O	WHITE	6	OXYGEN
IGTGD-PG8-V	YELLOW	8	VACUUM
IGTGD-PG6-A4	BLACK-WHITE	6	AIR
IGTGD-PG6-P	BLUE	6	NITROUS OXIDE
IGTGD-PG6-A8	BLACK	6	AIR-800
IGTGD-PG6-C	GREY	6	CARBON DIOXIDE
IGTGD-PG6-N	BLACK	6	NITROGEN

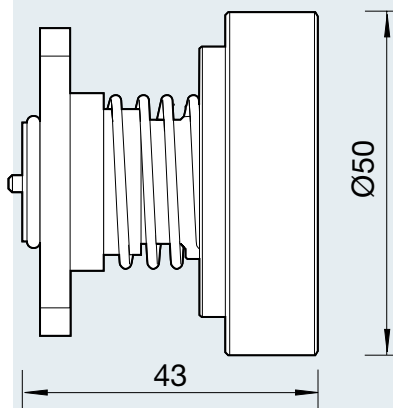
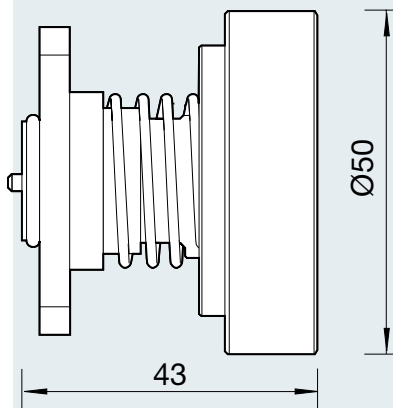
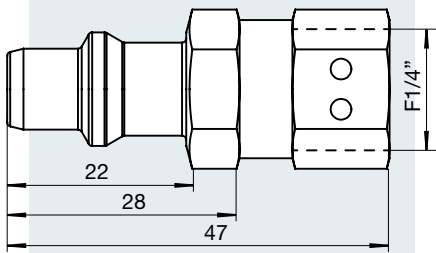


Supplied with sticky label that can be custom made on request.

Elbow barb end probe with check valve			
P/N	DISTINCTIVE COLOUR	H	GAS
IIGTGD-PG6-O	WHITE	6	OXYGEN
IIGTGD-PG6-A4	BLACK-WHITE	6	AIR
IIGTGD-PG6-P	BLUE	6	NITROUS OXIDE
IIGTGD-PG6-C	GREY	6	CARBON DIOXIDE



Supplied with sticky label that can be custom made on request.



F1/4" probe

P/N	DISTINCTIVE COLOUR	GAS
IGTD-F1/4-O	WHITE	OXYGEN
IGTD-F1/4-V	YELLOW	VACUUM
IGTD-F1/4-A4	BLACK-WHITE	AIR
IGTD-F1/4-A8	BLACK	AIR-800
IGTD-F1/4-P	BLUE	NITROUS OXIDE
IGTD-F1/4-C	GREY	CARBON DIOXIDE

Supplied with releaser sleeve that can be custom made on request.

BS 5682:2015

BS 5682:2015 socket

P/N	GAS
VGTBSM-OR-O	OXYGEN
VGTBSM-OR-V	VACUUM
VGTBSM-OR-A4	AIR
VGTBSM-OR-P	NITROUS OXIDE
VGTBSM-OR-C	CARBON DIOXIDE
VGTBSM-OR-A8	AIR-800
VGTBSM-OR-OP	O ₂ /N ₂ O

Supplied with releaser sleeve that can be custom made on request.

BS 5682:2015 horizontal socket for flow-meters

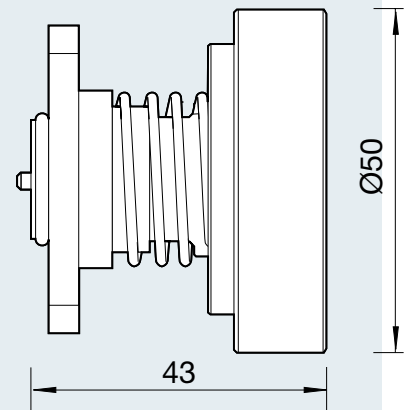
P/N	GAS
VGTBSMHO-OR-O	OXYGEN
VGTBSMHO-OR-V	VACUUM
VGTBSMHO-OR-A4	AIR
VGTBSMHO-OR-P	NITROUS OXIDE
VGTBSMHO-OR-C	CARBON DIOXIDE
VGTBSMHO-OR-A8	AIR-800

Supplied with releaser sleeve that can be custom made on request.

BS 5682:2015 plastic socket

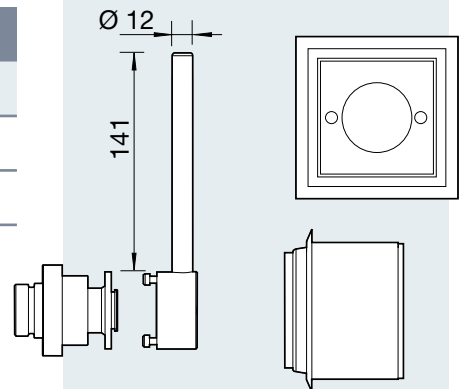
P/N	GAS
VGTBSP-OR-O	OXYGEN
VGTBSP-OR-V	VACUUM
VGTBSP-OR-A4	AIR
VGTBSP-OR-P	NITROUS OXIDE
VGTBSP-OR-C	CARBON DIOXIDE
VGTBSP-OR-A8	AIR-800
VGTBSP-OR-OP	O ₂ /N ₂ O

Supplied with releaser sleeve that can be custom made on request.



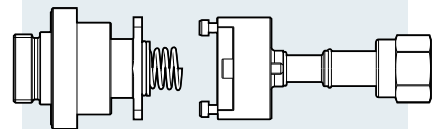
AGSS BS 8532:2011

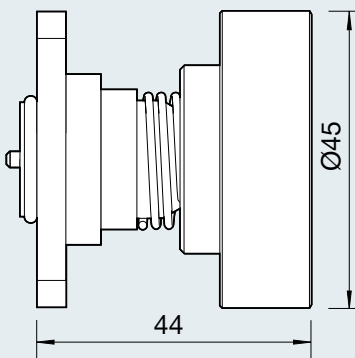
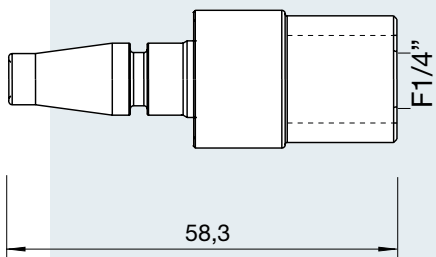
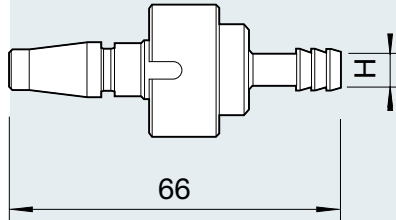
P/N	
VEGS-BS	WITH BOX
VEGS-BS/1	WITHOUT BOX



AGSS BS 8532:2011 c/w NIST connector

P/N	
VEGS-BS-MNIST	





BS 5682:2015 PROBE

Straight barb end probe

P/N	H	GAS
IGTBS-PG6-O	6,5	OXYGEN
IGTBS-PG8-V	8	VACUUM
IGTBS-PG6-A4	6,5	AIR
IGTBS-PG6-P	6,5	NITROUS OXIDE
IGTBS-PG6-A8	6,5	AIR-800

Made of nickel plated brass.

F1/4" probe

P/N	GAS
IGTBS-F1/4-O	OXYGEN
IGTBS-F1/4-V	VACUUM
IGTBS-F1/4-A4	AIR

Made of nickel plated brass.

SANS 1409:2015

SANS 1409 socket

P/N	GAS
VGTSAM-OR-O	OXYGEN
VGTSAM-OR-V	VACUUM
VGTSAM-OR-A4	AIR
VGTSAM-OR-P	NITROUS OXIDE
VGTSAM-OR-A8	AIR-800
VGTSAM-OR-C	CARBON DIOXIDE
VGTSAM-OR-N	NITROGEN
VGTSAM-OR-OC	O2/CO2
VGTSAM-OR-OP	O2/N2O

Supplied with releaser sleeve that can be custom made on request.

AFNOR NF S 90-116 FD S 90-119

AFNOR socket

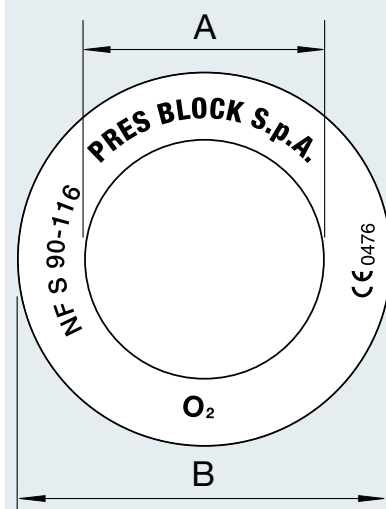
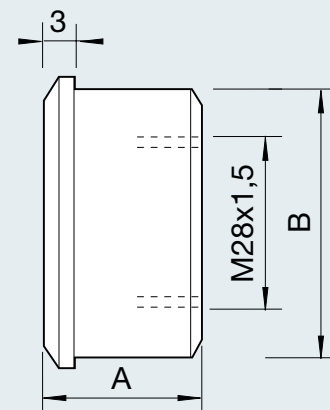
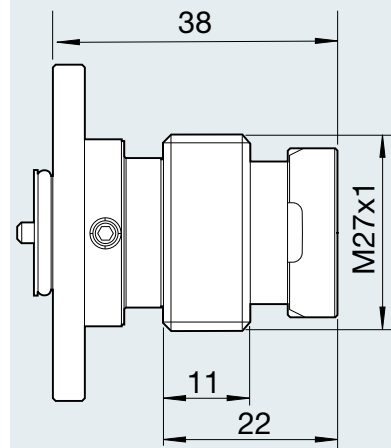
P/N	GAS
VGTFM-OR-O	OXYGEN
VGTFM-OR-V	VACUUM
VGTFM-OR-A4	AIR
VGTFM-OR-P	NITROUS OXIDE
VGTFM-OR-C	CARBON DIOXIDE
VGTFM-OR-A8	AIR-800

Bulkhead nut

P/N	A	B	COLOUR
PGTF/1	18,7	36,6	GREY

Gas identification ring

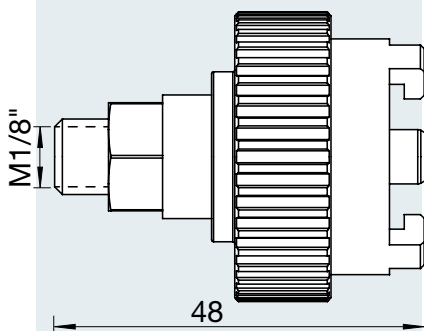
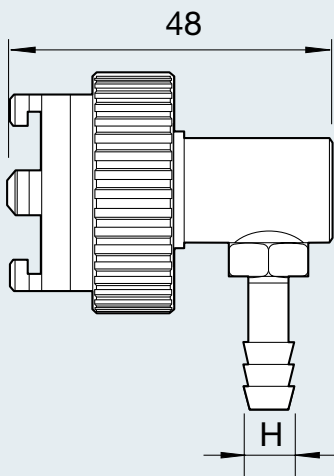
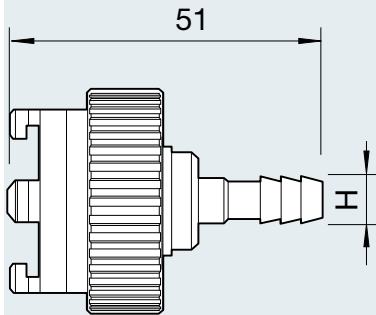
P/N	A	B	COLOUR	GAS
ZGTF-O/PB	38	55	WHITE	OXYGEN
ZGTF-V/PB	38	55	YELLOW	VACUUM
ZGTF-A4/PB	38	55	BLACK/WHITE	AIR
ZGTF-P/PB	38	55	BLUE	NITROUS OXIDE
ZGTF-A8/PB	38	55	WHITE/BLACK	AIR-800
ZGTF-C/PB	38	55	GREY	CARBON DIOXIDE
ZGTFD70-O	38	70	WHITE	OXYGEN
ZGTFD70-V	38	70	YELLOW	VACUUM
ZGTFD70-A4	38	70	BLACK/WHITE	AIR
ZGTFD70-P	38	70	BLUE	NITROUS OXIDE
ZGTFD70-A8	38	70	WHITE/BLACK	AIR-800
ZGTFD70-C	38	70	GREY	CARBON DIOXIDE







NF S 90-116 AND FD S 90-119 PROBE



Straight barb end probe

P/N	DISTINCTIVE COLOUR	H	GAS
IGTF-PG6-O	WHITE	6	OXYGEN
IGTF-PG8-V	YELLOW	8	VACUUM
IGTF-PG6-A4	BLACK-WHITE	6	AIR
IGTF-PG6-P	BLUE	6	NITROUS OXIDE
IGTF-PG6-A8	WHITE-BLACK	6	AIR-800
IGTF-PG6-C	GREY	6	CARBON DIOXIDE

Supplied with sleeve that can be custom made on request.

Elbow barb end probe

P/N	DISTINCTIVE COLOUR	H	GAS
IGTGF-PG6-O	WHITE	6	OXYGEN
IGTGF-PG8-V	YELLOW	8	VACUUM
IGTGF-PG6-A4	BLACK-WHITE	6	AIR
IGTGF-PG6-P	BLUE	6	NITROUS OXIDE
IGTGF-PG6-A8	WHITE-BLACK	6	AIR-800
IGTGF-PG6-C	GREY	6	CARBON DIOXIDE

Supplied with sleeve that can be custom made on request.

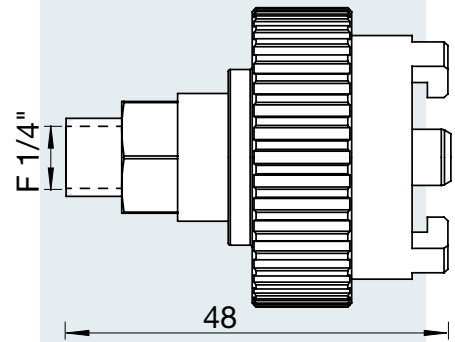
M1/8" probe

P/N	DISTINCTIVE COLOUR	H	GAS
IGTF-M1/8-O	WHITE	6	OXYGEN
IGTF-M1/8-V	YELLOW	8	VACUUM
IGTF-M1/8-A4	BLACK-WHITE	6	AIR
IGTF-M1/8-P	BLUE	6	NITROUS OXIDE
IGTF-M1/8-A8	WHITE-BLACK	6	AIR-800

Supplied with sleeve that can be custom made on request.

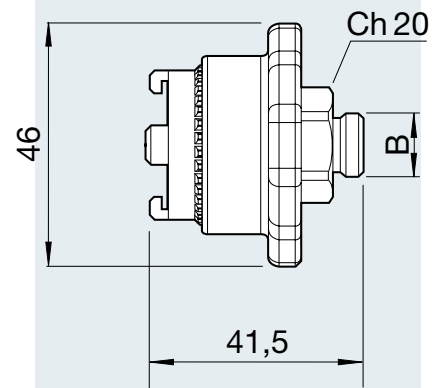
F1/4" probe			
P/N	DISTINCTIVE COLOUR	H	GAS
IGTF-F1/4-O	WHITE	6	OXYGEN
IGTF-F1/4-V	YELLOW	8	VACUUM
IGTF-F1/4-A4	BLACK-WHITE	6	AIR
IGTF-F1/4-P	BLUE	6	NITROUS OXIDE
IGTF-F1/4-A8	WHITE-BLACK	6	AIR-800
IGTF-F1/4-C	GREY	6	CARBON DIOXIDE

Supplied with sleeve that can be custom made on request.

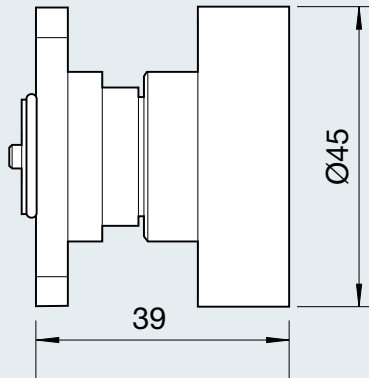


Straight swivel male threaded probe			
P/N	B	DISTINCTIVE COLOUR	GAS
IGTF-OR-M12-O	M12X1	WHITE	OXYGEN
IGTF-OR-M12-V	M12X1	YELLOW	VACUUM
IGTF-OR-M12-A4	M12X1	WHITE-BLACK	AIR
IGTF-OR-M12-P	M12X1	BLUE	NITROUS OXIDE
IGTF-OR-M12-C	M12X1	GREY	CARBON DIOXIDE
IGTF-OR-M1/8-O	1/8"	WHITE	OXYGEN
IGTF-OR-M1/8-V	1/8"	YELLOW	VACUUM
IGTF-OR-M1/8-A4	1/8"	WHITE-BLACK	AIR
IGTF-OR-M1/4-O	1/4"	WHITE	OXYGEN
IGTF-OR-M1/4-V	1/4"	YELLOW	VACUUM

Supplied with sleeve that can be custom made on request.



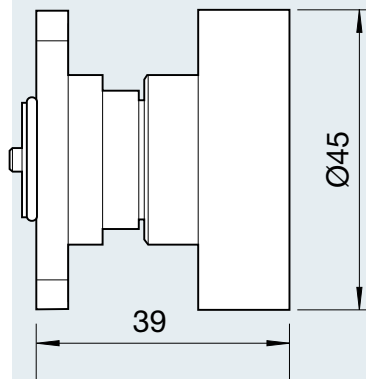
SS 875 24 30



SS 875 24 30 socket

P/N	GAS
VGTAM-OR-O	OXYGEN
VGTAM-OR-V	VACUUM
VGTAM-OR-A4	AIR
VGTAM-OR-P	NITROUS OXIDE
VGTAM-OR-A8	AIR-800
VGTAM-OR-C	CARBON DIOXIDE

Supplied with releaser sleeve that can be custom made on request.

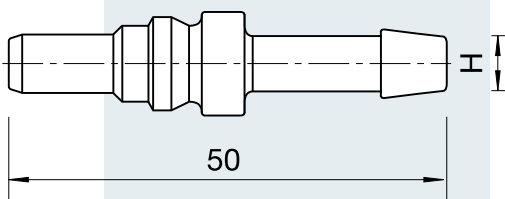


SS 875 24 30 horizontal socket for flow meter

P/N	GAS
VGTAMHO-OR-O	OXYGEN
VGTAMHO-OR-V	VACUUM
VGTAMHO-OR-A4	AIR
VGTAMHO-OR-P	NITROUS OXIDE
VGTAMHO-OR-C	CARBON DIOXIDE
VGTAMHO-OR-A8	AIR-800

Supplied with releaser sleeve that can be custom made on request.

SS 875 24 30 PROBE



Straight barb end probe

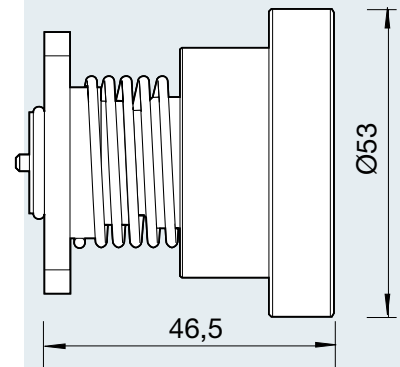
P/N	H	GAS
IGTA-PG6-O	6	OXYGEN
IGTA-PG10-V	10	VACUUM
IGTA-PG8-A4	8	AIR
IGTA-PG6-P	6	NITROUS OXIDE
IGTA-PG8-A8	8	AIR-800
IGTA-PG6-C	6	CARBON DIOXIDE

ENV 737-6

ENV 737-6 socket

P/N	GAS
VGTEM-OR-O	OXYGEN
VGTEM-OR-V	VACUUM
VGTEM-OR-A4	AIR
VGTEM-OR-P	NITROUS OXIDE
VGTEM-OR-C	CARBON DIOXIDE
VGTEM-OR-A8	AIR-800

Supplied with releaser sleeve that can be custom made on request.

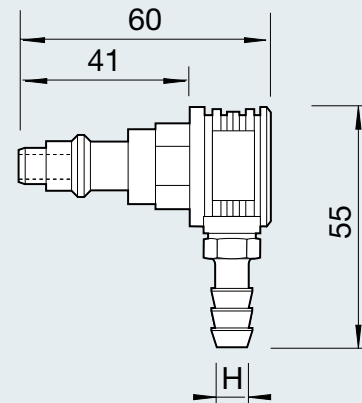


ENV 737-6 PROBE

Elbow barb end probe

P/N	DISTINCTIVE COLOUR	H	GAS
IGTGE-PG6-O	WHITE	6	OXYGEN
IGTGE-PG8-V	YELLOW	8	VACUUM
IGTGE-PG6-A4	BLACK-WHITE	6	AIR
IGTGE-PG6-P	BLUE	6	NITROUS OXIDE
IGTGE-PG6-A8	WHITE-BLACK	6	AIR-800
IGTGE-PG6-C	GREY	6	CARBON DIOXIDE

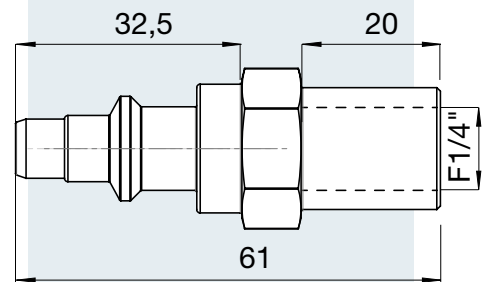
Supplied with sleeve that can be custom made on request.

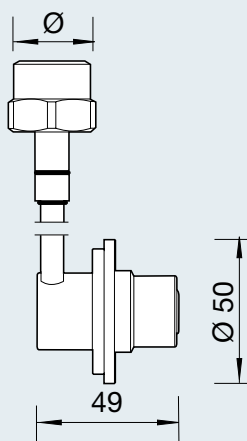
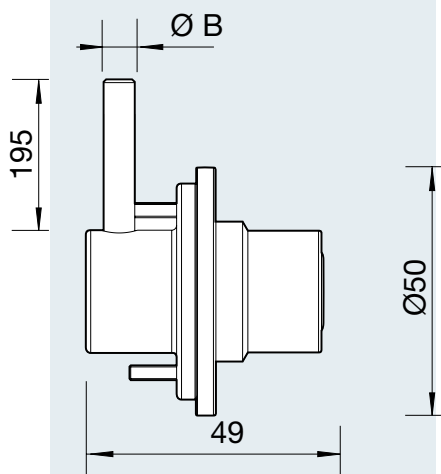
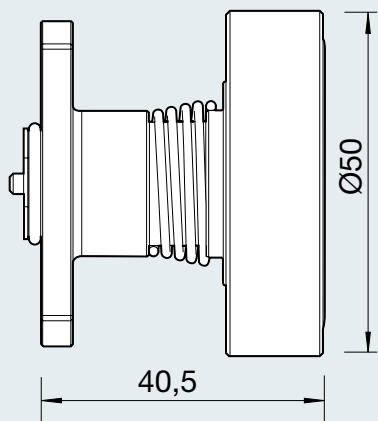


F1/4" probe

P/N	DISTINCTIVE COLOUR	GAS
IGTE-F1/4-O	WHITE	OXYGEN
IGTE-F1/4-V	YELLOW	VACUUM
IGTE-F1/4-A4	BLACK-WHITE	AIR
IGTE-F1/4-P	BLUE	NITROUS OXIDE
IGTE-F1/4-A8	WHITE-BLACK	AIR-800
IGTE-F1/4-C	GREY	CARBON DIOXIDE

Supplied with sleeve that can be custom made on request.





JIS T 70101

JIS T 7101 socket

P/N	GAS
VGTJSM-OR-O	OXYGEN
VGTJSM-OR-V	VACUUM
VGTJSM-OR-A4	AIR
VGTJSM-OR-P	NITROUS OXIDE

AS 2896

AS 2896 outlet

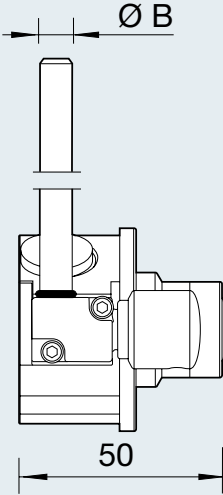
P/N	Ø B	GAS
VGTAS-O	1/4"	OXYGEN
VGTAS-V	5/16"	VACUUM
VGTAS-A4	1/4"	AIR
VGTAS-P	1/4"	NITROUS OXIDE
VGTAS-A8	1/4"	AIR-800
VGTAS-C	1/4"	CARBON DIOXIDE
VGTAS-N	1/4"	NITROGEN

AS 2896 outlet c/w NIST connector

P/N	Ø FEMMINA	GAS
VGTAS-O-MNIST	M22X1,5	OXYGEN
VGTAS-V-MNIST	M22X1,5	VACUUM
VGTAS-A4-MNIST	M22X1,5	AIR
VGTAS-P-MNIST	M22X1,5	NITROUS OXIDE
VGTAS-A8-MNIST	M22X1,5	AIR-800
VGTAS-C-MNIST	M22X1,5	CARBON DIOXIDE
VGTAS-N-MNIST	M22X1,5	NITROGEN

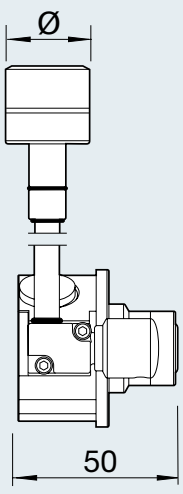
AS 2896 Anaesthetic Gas Scavenge

P/N	Ø B
VEGS-AS	8



AS 2896 Anaesthetic Gas Scavenge c/w NIST connector

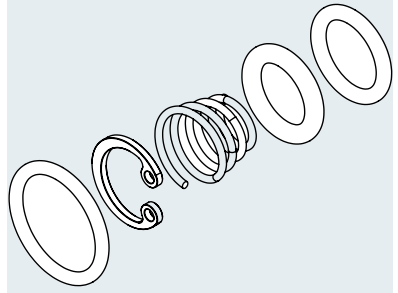
P/N	Ø FEMMINA
VEGS-AS-MNIST	M22X1,5



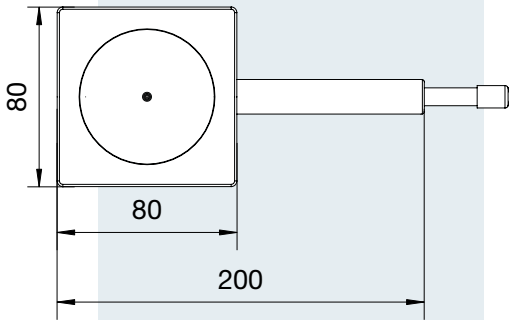
SPARE PART

Spare part kif for socket OR series

P/N	STANDARD	GAS
VGTD-OR-RIC	DIN	OXYGEN, AIR, NITROUS OXIDE, CARBON DIOXIDE
VGTD-OR-V-RIC	DIN	VACUUM
VGTD-OR-RIC	BS	ALL
VGTA-OR-RIC	SS	ALL

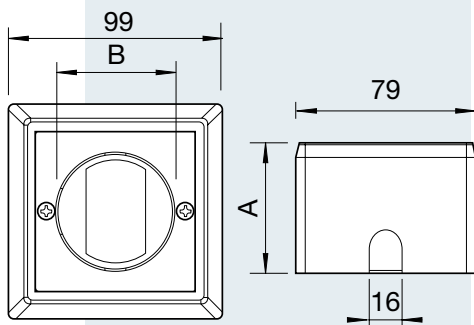


PLASTIC BOXES OR RANGE



Plastic box for German normative c/w base block 8mm copper pipe

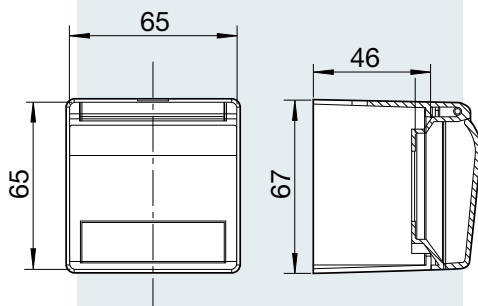
P/N	A	B	PROFILE
ZBOX-GT-RG-O	80	220	OXYGEN
ZBOX-GT-RG-V	80	220	VACUUM
ZBOX-GT-RG-A4	80	220	AIR
ZBOX-GT-RG-P	80	220	NITROUS OXIDE
ZBOX-GT-RG-C	80	220	AIR-800
ZBOX-GT-RG-A8	80	220	NITROGEN



Box without lid for copper pipe base block

P/N	A	B	PROFILE
ZBOX-GT-OR	56,8	46,2	suitable for DIN 13260-2 and SS 875 24 30
ZBOX-GT-OR/01	56,8	52,5	suitable for BS 5682:2015 and JIS T 7101
ZBOX-GT-OR/02	58,8	55	suitable for ENV 737-6

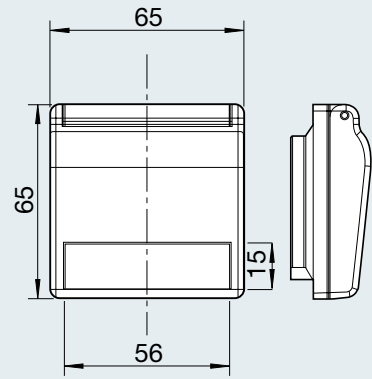
Suitable to be either flush-mounted or wall-mounted.



Box c/w lid for AFNOR outlet

P/N	
ZBOXGTF	C/W LOCKING NUT
ZBOXGTF/1	WITHOUT C/W LOCKING NUT

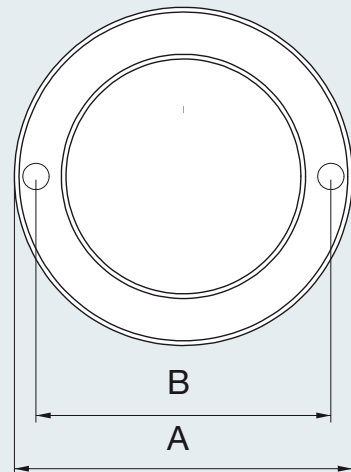
Lid for BHU Afnor outlet	
P/N	
BOXGTF	C/W LOCKING NUT
BOXGTF-1	WITHOUT C/W LOCKING NUT

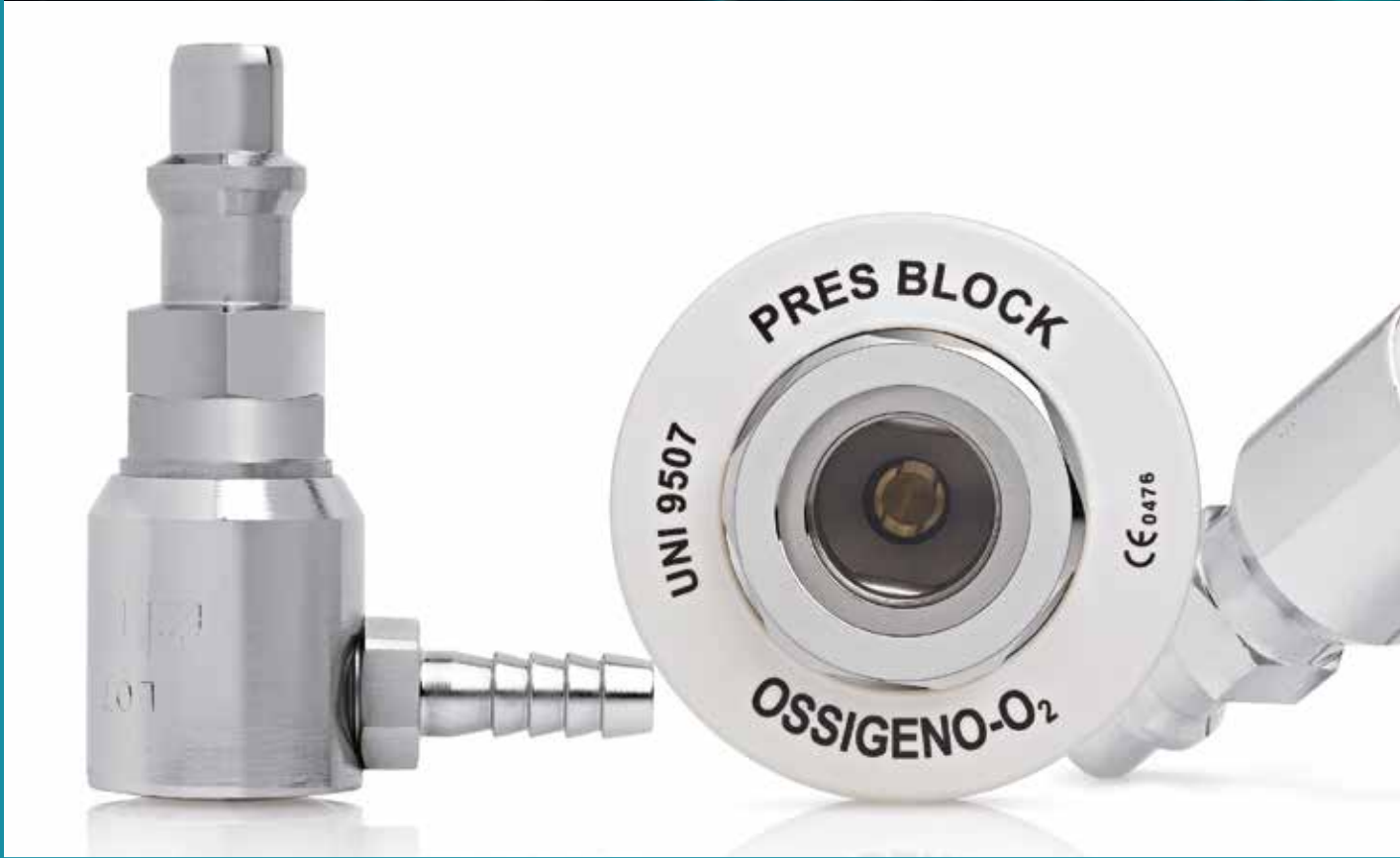


Gas identification label for AFNOR LID	
P/N	GAS
BOXGTF/O	OXYGEN
BOXGTF/V	VACUUM
BOXGTF/A4	AIR
BOXGTF/P	NITROUS OXIDE
BOXGTF/A8	AIR-800
BOXGTF/C	CARBON DIOXIDE
BOXGTF/N	NITROGEN



Locking nut for AL socket		
P/N	A	B
VGTF-O-4/TM	36	31,4







GAS OUTLETS UNI 9507



The terminal units of a medical gas pipeline system are devices used to make connections and disconnections in order to provide specific medical gases to medical devices, pulmonary ventilators or other appliances. An incorrect connection puts to hazard the life of patients, therefore the terminal units have been designed following different technical standards that ensure the accordance to the European directive 93/42/EEC so to grant a non-interchangeability among different gases and prevent from any possible mistake.

NEW 2017



BASE BLOCK UNI 9507

This component is the part of the terminal unit connected to the medical gas pipeline distribution system (suction in case of vacuum). The base blocks are designed in accordance with the standard EN ISO 9170-1 for design and manufacture requirements. All base blocks, except those for vacuum, are supplied with a maintenance valve to be fitted after the plumbing is completed.

Materials:

Brass EN 12164 - CuZn39Pb3

EPDM-PEROX

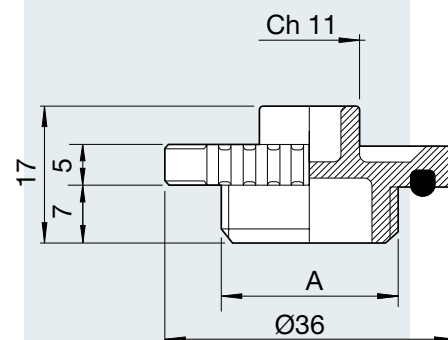
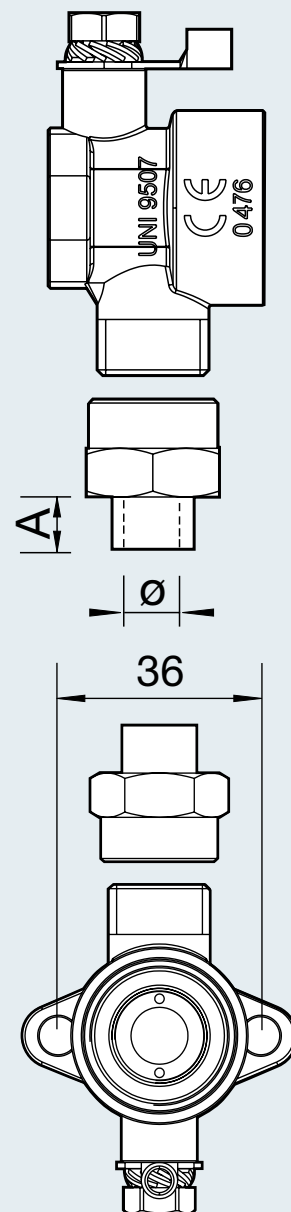
AISI

Base block c/w connector to weld			
P/N	GAS	A	Ø
ZARM60-O/PB	OXYGEN	9,5	10
ZARM60-V/PB	VACUUM	9,5	10
ZARM60-A4/PB	AIR	9,5	10
ZARM45-P/PB	NITROUS OXIDE	9,5	10
ZARM60-A8/PB	AIR-800	9,5	10
ZARM60-C/PB	CARBON DIOXIDE	9,5	10
ZARM60-N/PB	NITROGEN	9,5	10

Base block c/w connector to weld			
P/N	GAS	A	Ø
ZARM60-O/PB1	OXYGEN	20,5	10
ZARM60-V/PB1	VACUUM	20,5	10
ZARM60-A4/PB1	AIR	20,5	10
ZARM45-P/PB1	NITROUS OXIDE	20,5	10
ZARM60-A8/PB1	AIR-800	20,5	10
ZARM60-C/PB1	CARBON DIOXIDE	20,5	10
ZARM60-N/PB1	NITROGEN	20,5	10

Hexagonal head plug for base block			
P/N	A	DISTINCTIVE COLOUR	GAS
AGT-O/TP1	M22X1,5D	WHITE	OXYGEN
AGT-V/TP1	M24X1,5D	YELLOW	VACUUM
AGT-A4/TP1	M20X1,5S	BLACK	AIR
AGT-P/TP1	M16X1,5D	BLUE	NITROUS OXIDE
AGT-A8/TP1	M18X1,5D	BLACK	AIR-800
AGT-C/TP1	M20X1,5D	GREY	CARBON DIOXIDE

c/w O-ring.





NEW 2017

SOCKETS UNI 9507

The socket is the female part of the terminal unit connected to the base block by a gas specific interface and which contains the gasspecific connecting point. These sockets have been designed in accordance with the following standards:

UNI 9507;

EN ISO 9170-1 for design and manufacture requirements.

Materials:

Brass EN 12164 - CuZn39Pb3 nickel plated

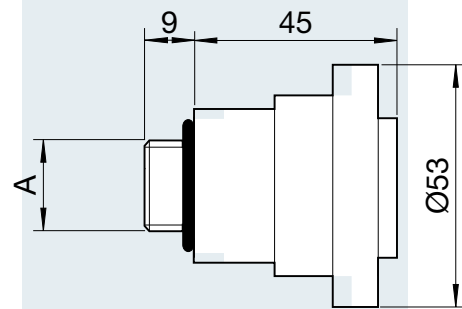
EPDM-PEROX

AISI

ABS/POM

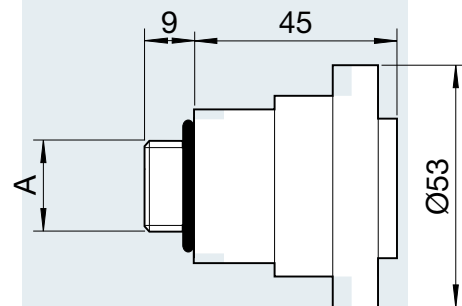
New UNI 9507 socket			
P/N	A	DISTINCTIVE COLOUR	
VGT60M-O/PB	M22X1,5D	WHITE	OXYGEN
VGT60M-V/PB	M24X1,5D	YELLOW	VACUUM
VGT60M-A4/PB	M20X1,5S	BLACK-WHITE	AIR
VGT45M-P/PB	M16X1,5D	BLUE	NITROUS OXIDE
VGT60M-A8/PB	M18X1,5D	WHITE-BLACK	AIR-800
VGT60M-C/PB	M20X1,5D	GREY	CARBON DIOXIDE

Supplied with sleeve that can be custom made on request.



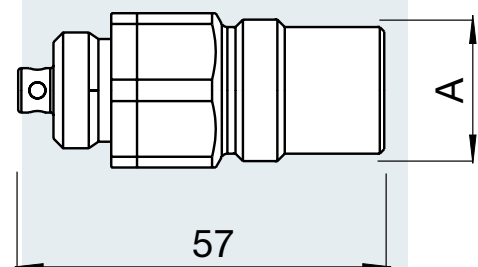
UNI 9507 socket c/w threaded inlet			
P/N	A	DISTINCTIVE COLOUR	GAS
VGTX60-O-M1/4	1/4	WHITE	OXYGEN
VGTX60-O-M3/8	3/8	WHITE	OXYGEN

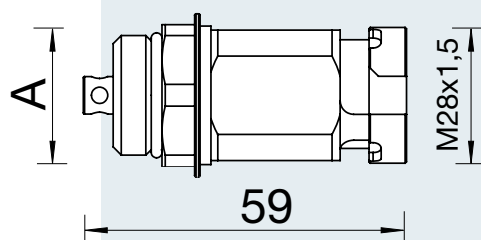
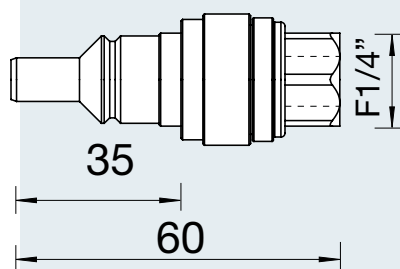
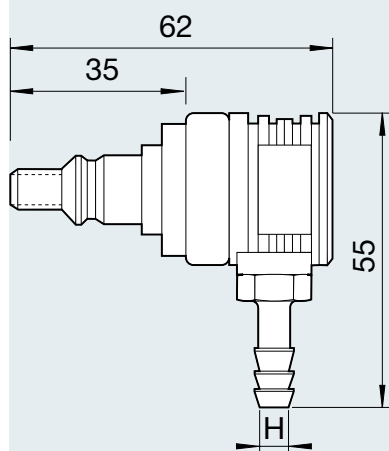
Supplied with sleeve that can be custom made on request.



UNI 739 socket c/w threaded inlet			
P/N	A		GAS
VGTN-O	M22 X 1.5		OXYGEN
VGTN-C	M22 X 1.5		CARBON DIOXIDE
VGTN-A8	M22 X 1.5		AIR-800
VGTN-A4	M22 X 1.5		AIR

Supplied with sleeve that can be custom made on request.





UNI 9507 PROBES

Elbow barb end probe

P/N	DISTINCTIVE COLOUR	H	GAS
IGTG60-PG6-O	WHITE	6	OXYGEN
IGTG60-PG8-V	YELLOW	8	VACUUM
IGTG60-PG6-A4	BLACK-WHITE	6	AIR
IGTG45-PG6-P	BLUE	6	NITROUS OXIDE
IGTG60-PG6-A8	WHITE-BLACK	6	AIR-800
IGTG60-PG6-C	GREY	6	CARBON DIOXIDE

Supplied with sleeve that can be custom made on request.

F1/4" probe

P/N	DISTINCTIVE COLOUR	H	GAS
IGT60-F1/4-O	WHITE	1/4"	OXYGEN
IGT60-F1/4-V	YELLOW	1/4"	VACUUM
IGT60-F1/4-A4	BLACK-WHITE	1/4"	AIR
IGT45-F1/4-P	BLUE	1/4"	NITROUS OXIDE
IGT60-F1/4-A8	WHITE-BLACK	1/4"	AIR-800
IGT60-F1/4-C	GREY	1/4"	CARBON DIOXIDE

Supplied with sleeve that can be custom made on request.

AFNOR NSF 90-116

AFNOR NSF 90-116 socket c/w UNI thread inlet

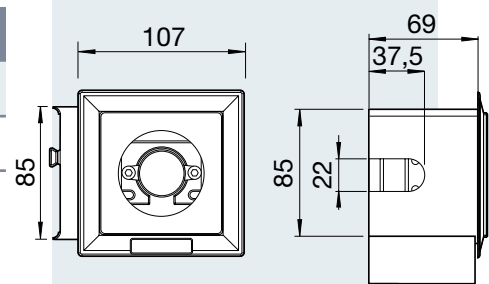
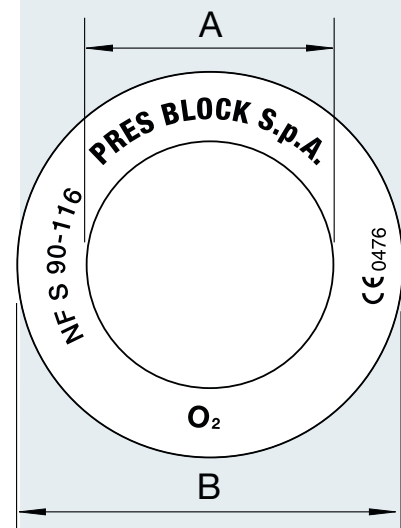
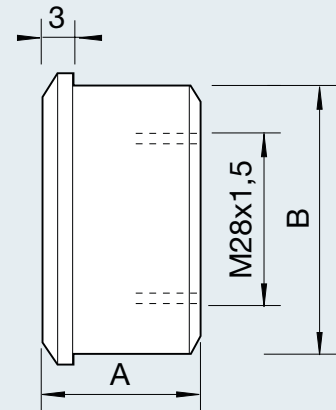
P/N	A	DISTINCTIVE COLOUR	GAS
VGTF-O	M22X1,5D	WHITE	OXYGEN
VGTF-V	M24X1,5D	YELLOW	VACUUM
VGTF-A4	M20X1,5S	BLACK-WHITE	AIR
VGTF-P	M16X1,5D	BLUE	NITROUS OXIDE
VGTF-A8	M18X1,5D	WHITE-BLACK	AIR-800
VGTF-C	M20X1,5D	GREY	CARBON DIOXIDE

Bulkhead nut			
P/N	A	B	COLOURS
PGTF/1	18,7	36,6	GREY

Gas identification ring				
P/N	A	B	COLOURS	GAS
ZGTF-O/PB	38	55	WHITE	OXYGEN
ZGTF-V/PB	38	55	YELLOW	VACUUM
ZGTF-A4/PB	38	55	BLACK/WHITE	AIR
ZGTF-P/PB	38	55	BLUE	NITROUS OXIDE
ZGTF-A8/PB	38	55	WHITE/BLACK	AIR-800
ZGTF-C/PB	38	55	GREY	CARBON DIOXIDE
ZGTFD70-O	38	70	WHITE	OXYGEN
ZGTFD70-V	38	70	YELLOW	VACUUM
ZGTFD70-A4	38	70	BLACK/WHITE	AIR
ZGTFD70-P	38	70	BLUE	NITROUS OXIDE
ZGTFD70-A8	38	70	WHITE/BLACK	AIR-800
ZGTFD70-C	38	70	GREY	CARBON DIOXIDE

UNI 9507 AND AFNOR NFS 90-116 BOX

Box
P/N
BOX-GT
Suitable to be either flush-mounted or surface-mounted Supplied with: - service cap; - components designed to link the boxes to form a series.



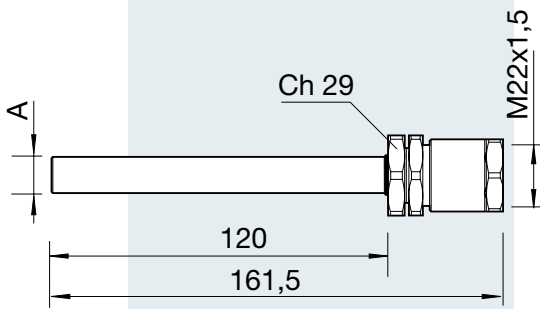




NIST CONNECTORS (NIST)

Range of male and female components intended to maintain gas-specificity by allocation of a set of different diameters and screw thread to mating components to each gas. These connectors are suitable for medical gases when the pressure range is 300 kPa - 1400 kPa and for vacuum when the pressure range is 10 kPa - 100 kPa. These components are designed in accordance with the standard EN 15908

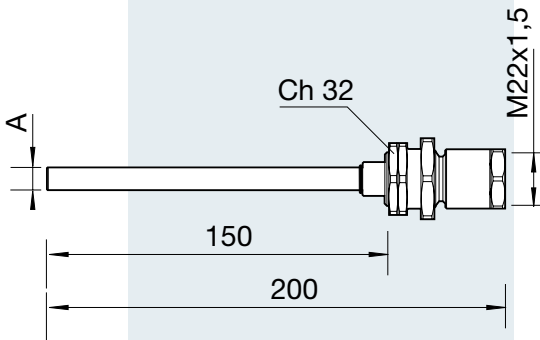
Materials:
Brass EN 12164 - CuZn39Pb3 nickel plated
EPDM-PEROX
AISI



1st fix Nist connector c/w copper pipe welded

P/N	A	GAS
VGTN-PL-O-T1/2	1/2"	OXYGEN
VGTN-PL-A4-T1/2	1/2"	AIR
VGTN-PL-V-T1/2	1/2"	VACUUM
VGTN-PL-P-T1/2	1/2"	NITROUS OXIDE
VGTN-PL-C-T1/2	1/2"	CARBON DIOXIDE
VGTN-PL-A8-T1/2	1/2"	AIR-800

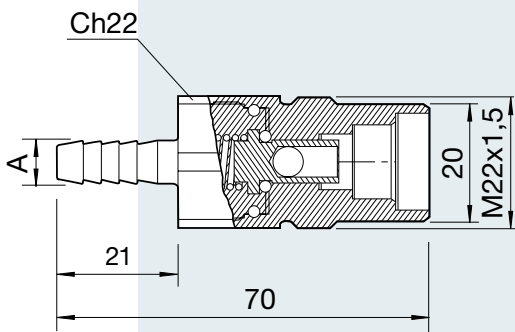
PL = free flow.



1st fix Nist connector c/w check valve and copper pipe welded

P/N	A	GAS
VGTN-O-T10	10	OXYGEN
VGTN-A4-T10	10	AIR
VGTN-V-T12	12	VACUUM
VGTN-P-T10	10	NITROUS OXIDE
VGTN-C-T10	10	CARBON DIOXIDE
VGTN-A8-T10	10	AIR-800
VGTN-AGSS-T15*	15	SDEGA

*No check valve.



1st fix Nist connector c/w hosetail & check valve

P/N	A	GAS
VGTN-O-PG6	6	OXYGEN
VGTN-A4-PG6	6	AIR
VGTN-V-PG8	8	VACUUM
VGTN-P-PG6	6	NITROUS OXIDE
VGTN-C-PG6	6	CARBON DIOXIDE
VGTN-A8-PG6	6	AIR-800

1st fix Nist connector c/w hosetail

P/N	A	GAS
VGTN-PL-O-PG6	6	OXYGEN
VGTN-PL-A4-PG6	6	AIR
VGTN-PL-V-PG8	8	VACUUM
VGTN-PL-P-PG6	6	NITROUS OXIDE
VGTN-PL-A8-PG6	6	AIR-800
VGTN-PL-C-PG6	6	CARBON DIOXIDE

PL = free flow.

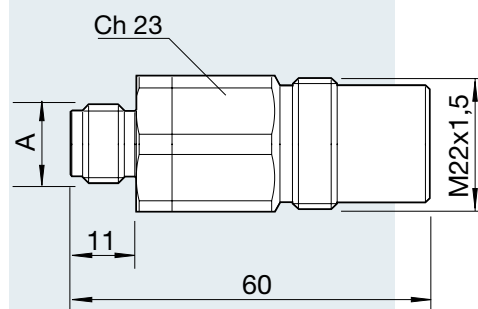
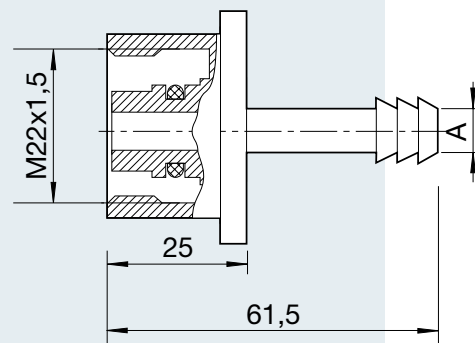
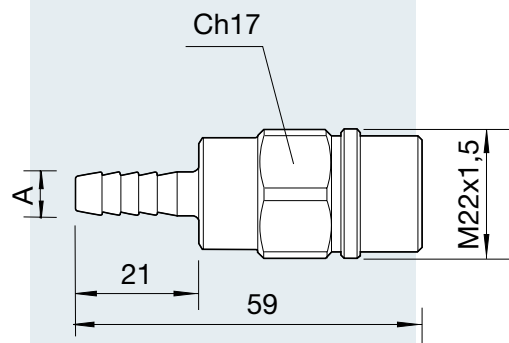
NIST straight barb end probe

P/N	A	GAS
IGTN-PG6-O	6	OXYGEN
IGTN-PG8-V	8	VACUUM
IGTN-PG6-A4	6	AIR
IGTN-PG6-P	6	NITROUS OXIDE
IGTN-PG6-C	6	CARBON DIOXIDE
IGTN-PG6-A8	6	AIR-800
IGTN-PG6-OA	6	AIR/OXYGEN

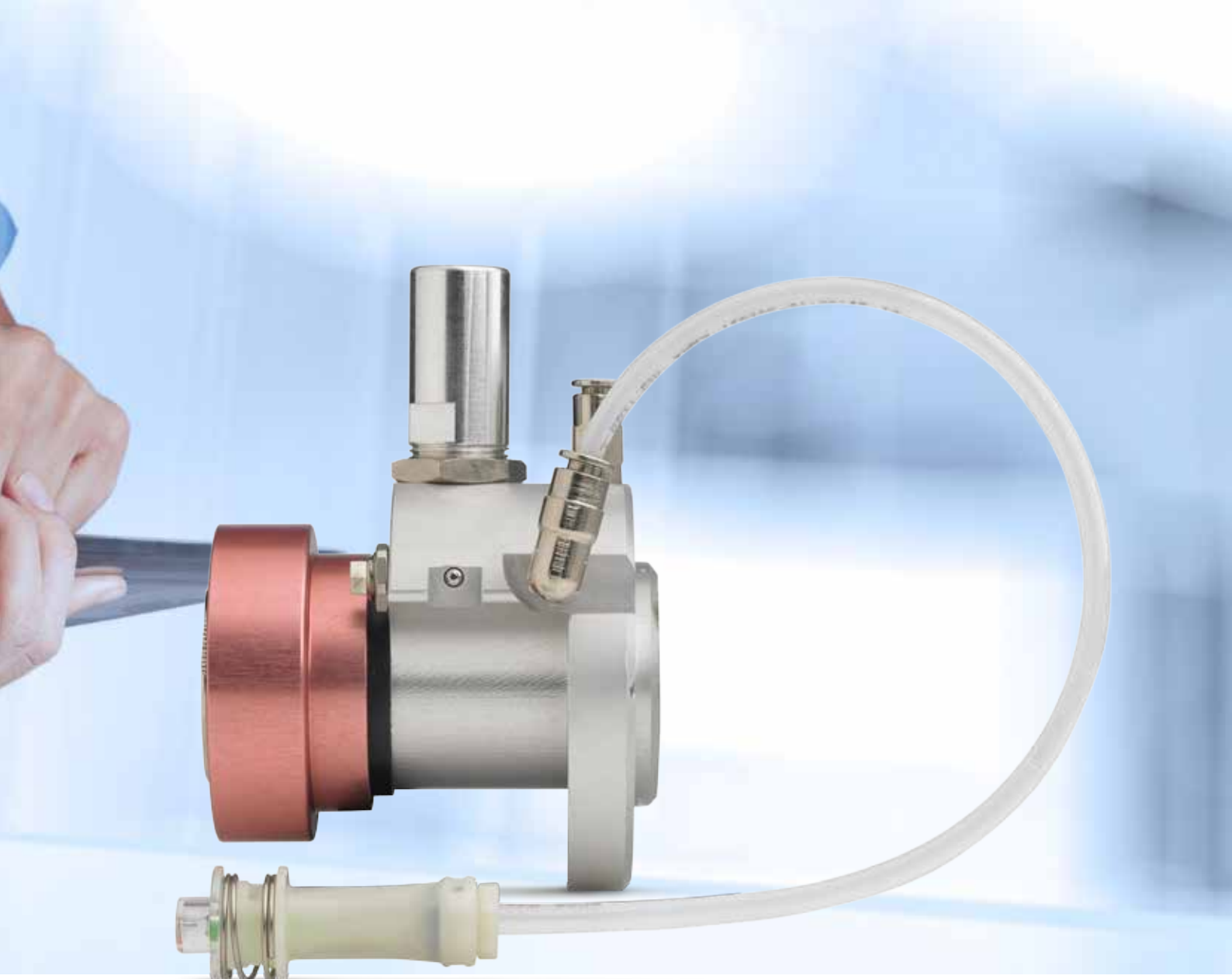
1st fix Nist connector c/w M1/4" thread

P/N	A	GAS
VGTN-O-M1/4	1/4"	OXYGEN
VGTN-V-M1/4*	1/4"	VACUUM
VGTN-A4-1/4	1/4"	AIR

* Free flow.

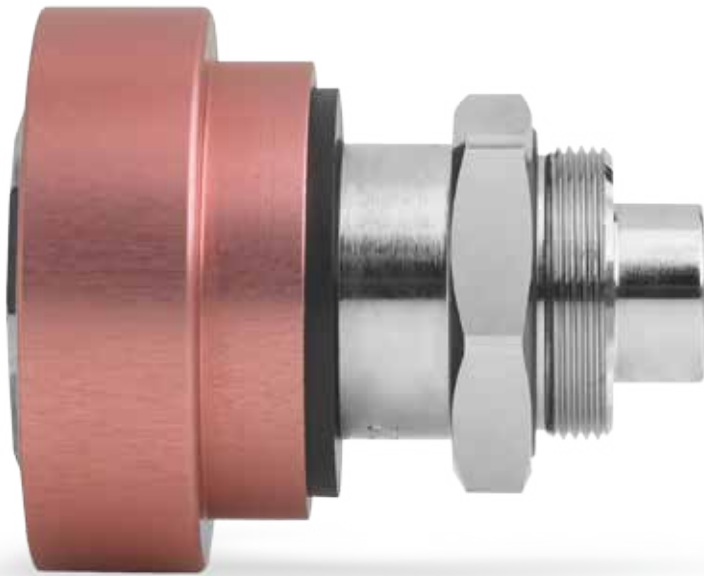






ANAESTHETIC GAS SCAVENGING SYSTEM (AGSS) AND AIR MOTOR

They are the part of system to which the operator makes connection and disconnection for exhausting the medical gases coming from anaesthetic and breathing systems. To grant the gas-specificity and prevent any mistake, these.



EN ISO 9170-2 AGSS SOCKETS

These are the female parts of a terminal unit attached to the base block by a gas-specific interface which contain the gas-specific connection point.

Materials:

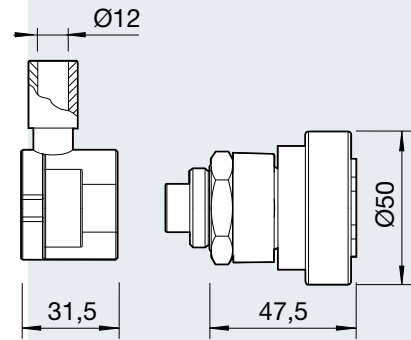
Brass EN 12164 - CuZn39Pb3
Aluminium series 2000 or 6000
Steel
EPDM-PEROX
AISI
PA/POM

AGSS type 1L outlet for centralized system

P/N	DISTINCTIVE COLOUR
-----	--------------------

VEGS120/EN1	RED MAGENTA
-------------	-------------

Supplied with metal sleeve that can be custom made on request.

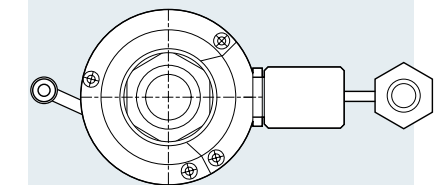
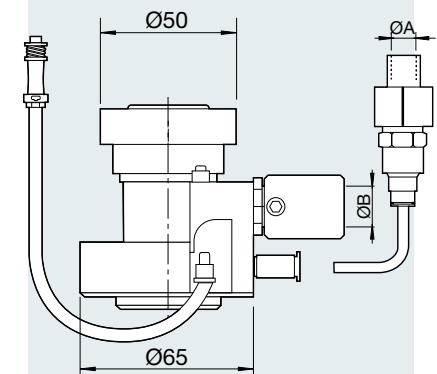


AGSS type 1L active

P/N	DISTINCTIVE COLOUR	ØA	ØB
VEGA120/EN1	RED MAGENTA	10 (SUPPLY)	16 (EVACUATION)

Supplied with:

- adjusting screw for setting following the standard EN ISO 7396-2
- green suction indicator.
- sleeve that can be custom made on request.
- manifold for connecting the exhaust copper pipe.

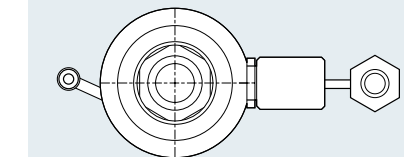
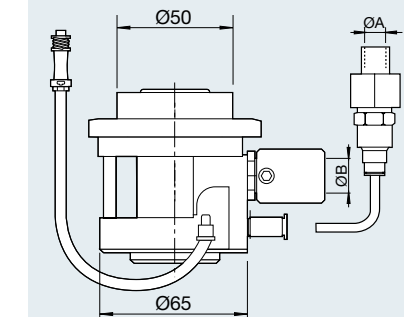


AGSS type 1L active c/w bulkhead plate

P/N	DISTINCTIVE COLOUR	ØA	ØB
VEGA120/EN2	RED MAGENTA	10 (SUPPLY)	16 (EVACUATION)

Supplied with:

- adjusting screw for setting following the standard EN ISO 7396-2
- green suction indicator.
- sleeve that can be custom made on request.
- manifold for connecting the exhaust copper pipe.

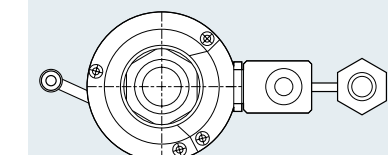
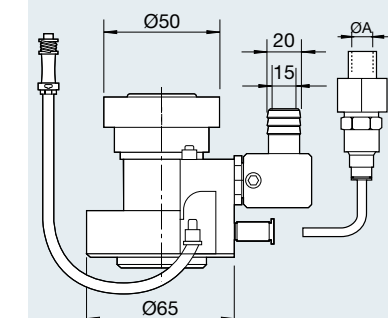


AGSS type 1L active for ceiling pendants

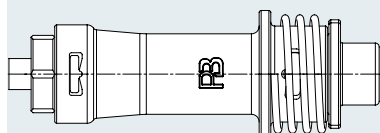
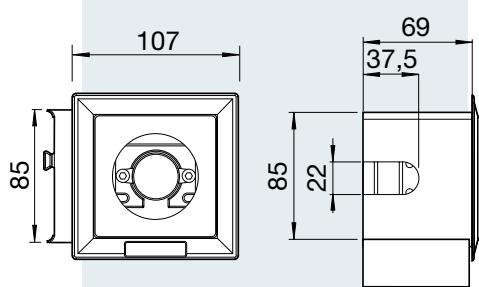
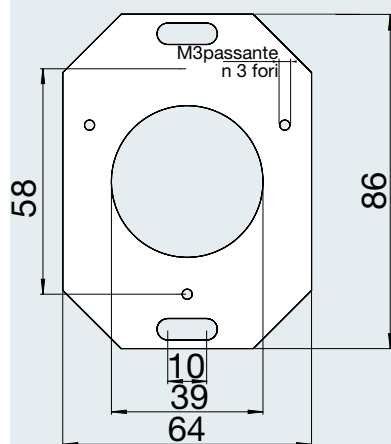
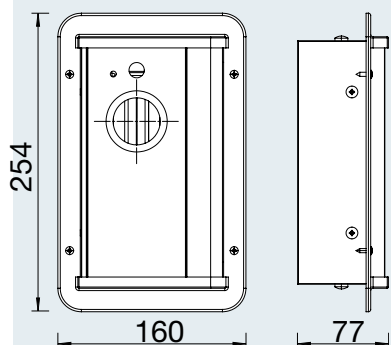
P/N	DISTINCTIVE COLOUR	ØA
VEGA120/EN3	RED MAGENTA	10 (SUPPLY)

Supplied with:

- adjusting screw for setting following the standard EN ISO 7396-2.
- green suction indicator.
- sleeve that can be custom made on request.
- adapter for connecting the exhaust copper pipe or flexible hose.



AGSS 1L TYPE ALUMINIUM BOX



Box for AGSS active outlet

P/N	DISTINCTIVE COLOUR	RAL
BOX-AGSS	RED	3003
BOX-AGSS/001	VERDE	6019
BOX-AGSS/002	BLUE	5015
BOX-AGSS/003	GREY	7035
BOX-AGSS/004	BEIGE	1013

Back plate for AGSS

P/N

VEG120-M3

Box without lid for AGSS outlets (centralized system)

P/N

BOX-GTS

Suitable to be either flush-mounted or surface-mounted

Supplied with:

- service cap;
- components designed to link the boxes to form a series.

AGSS indicator

P/N

LINDRR4



EN ISO 91790-2 AGSS PROBES

These are the male non-interchangeable parts to be connected to the outlets.

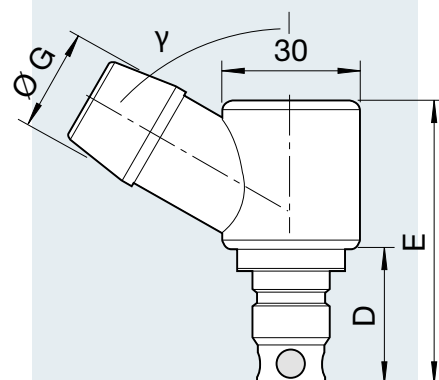
Materials:

Aluminium series 2000 or 6000 anodized

AISI

PA/POM

60° Barb end type 1L						
P/N	DISTINCTIVE COLOUR	D	ØG	E	γ	
IEGG120-PG22/EN	RED MAGENTA	30	22	63	60°	
IEGP120-PG22/EN	RED MAGENTA	30	22	63	90°	





AIR MOTOR ENV 737-6

This terminal unit integrates a medical tool drive outlet with a gas scavenging terminal unit.

Materials:

Brass EN 12164 - CuZn39Pb3 nickel plated

Steel

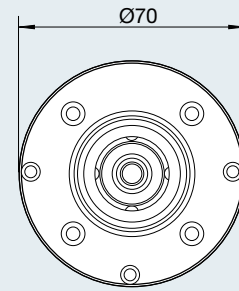
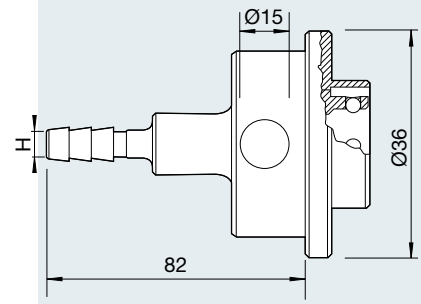
EPDM-PEROX

Anodized Aluminium

ENV 737-6 outlet for ceiling pendants

P/N H

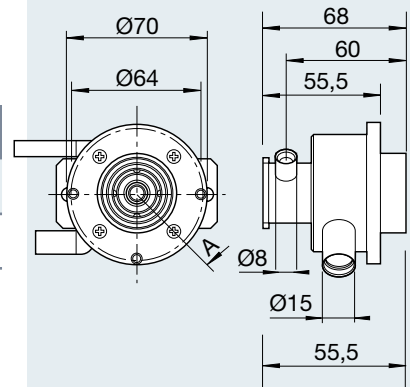
VAM737-PG6 9



ENV 737-6 outlet c/w copper pipes

P/N H

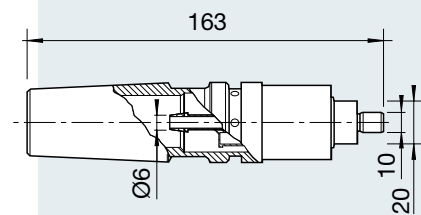
VAM737-TL 9



ENV 737-6 barb end probe

P/N H

IAM737-PG6 9

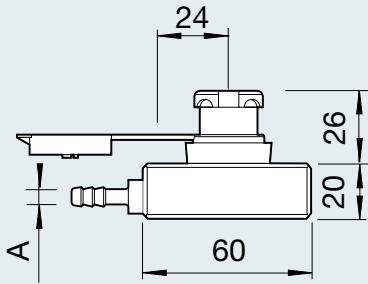






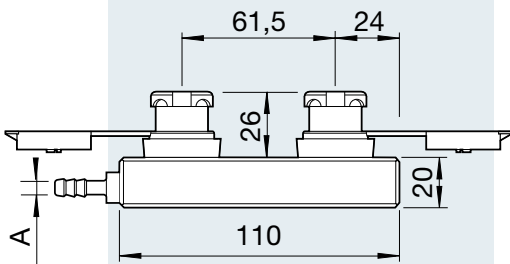
ADAPTERS FOR AMBULANCES

Materials:
Brass EN 12164 - CuZn39Pb3
EPDM-PEROX
AISI
ABS/POM
Aluminium



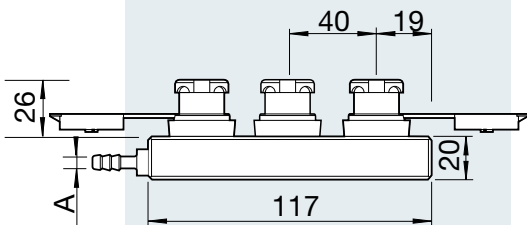
Adapter with one AFNOR NF S 90-116 socket and barb end inlet

P/N	A	GAS
AGTF-1V-PG6-V	6	VACUUM



Adapter with two AFNOR NF S 90-116 sockets and barb end inlet

P/N	A	GAS
AGTF-2V-PG6-O	6	OXYGEN
AGTF-2V-PG6-V	6	VACUUM

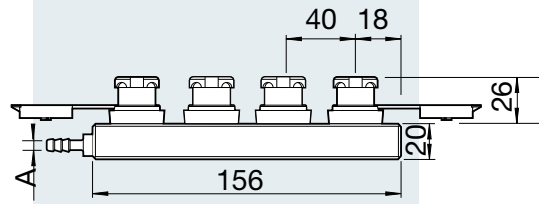


Adapter with three AFNOR NF S 90-116 sockets and barb end inlet

P/N	A	GAS
AGTF-3V-PG6-O	6	OXYGEN

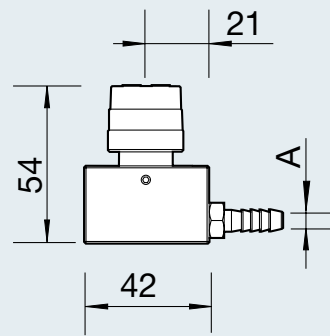
Adapter with four AFNOR NF S 90-116 sockets and barb end inlet

P/N	A	GAS
AGTF-4V-PG6-O	6	OXYGEN



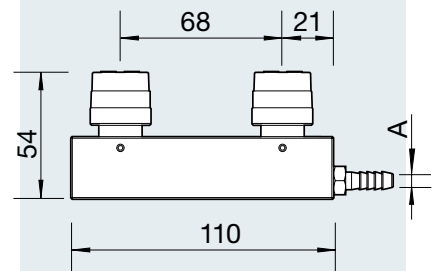
Adapter with one SS 875 24 30 socket and barb end inlet

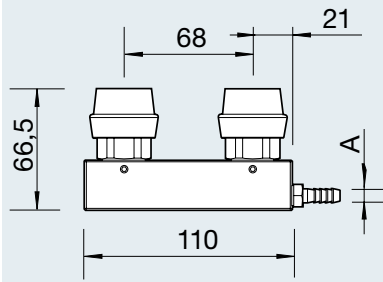
P/N	A	GAS
AGTA-1V-O	6	OXYGEN



Adapter with two SS 875 24 30 sockets and barb end inlet

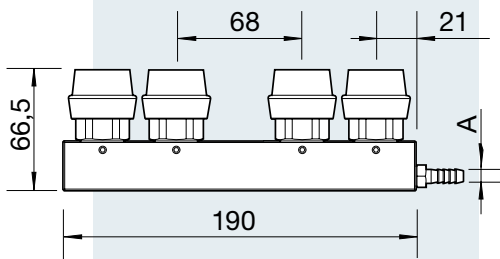
P/N	A	GAS
AGTA-2V-O	6	OXYGEN





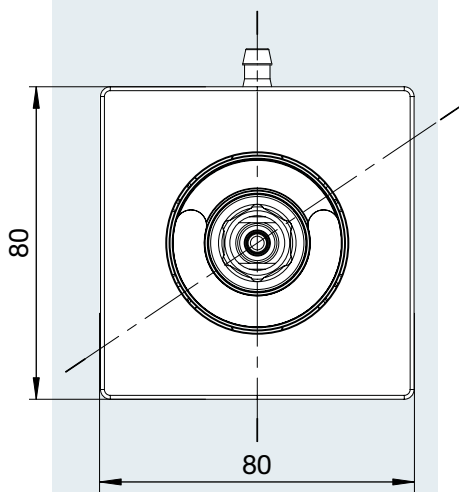
Adapter with two DIN 13260-2 sockets and barb end inlet

P/N	A	GAS
AGTD-2V-O	6	OXYGEN
AGTD-2V-A4	6	AIR



Adapter with four DIN 13260-2 sockets and barb end inlet

P/N	A	GAS
AGTD-4V-O	6	OXYGEN
AGTD-4V-A4	6	AIR

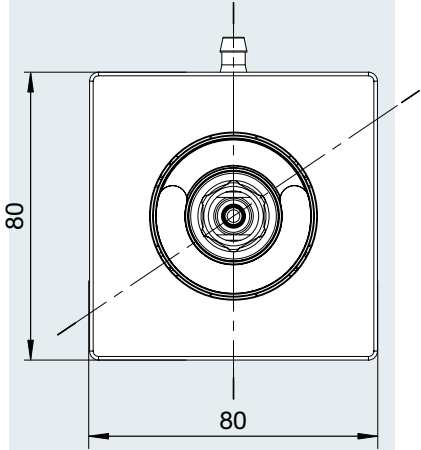


Adapter with one DIN 13260-2 socket and plastic box c/w barb end inlet

P/N	GAS
ZBOX-GV-O	OXYGEN
ZBOX-GV-A4	AIR

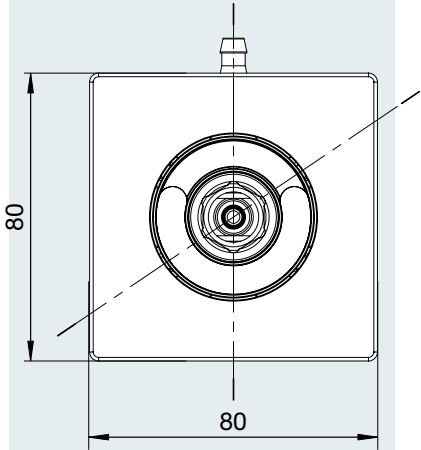
Adapter with one BS socket and plastic box c/w barb end inlet

P/N	GAS
ZBOX-GVBS-O	OXYGEN
ZBOX-GVBS-A4	AIR



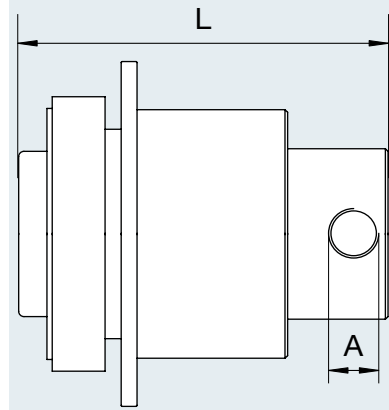
Adapter with one SS socket and plastic box c/w barb end inlet

P/N	GAS
ZBOX-GVA-O	OXYGEN
ZBOX-GVA-A4	AIR



Adapter c/w UNI 9507 socket F1/8" thread inlet

P/N	A	L	GAS
AGT-F1/8-O	1/8"	70	OXYGEN
AGT-F1/8-V	1/8"	70	VACUUM
AGT-F1/8-A4	1/8"	70	AIR
AGT-F1/8-P	1/8"	70	NITROUS OXIDE

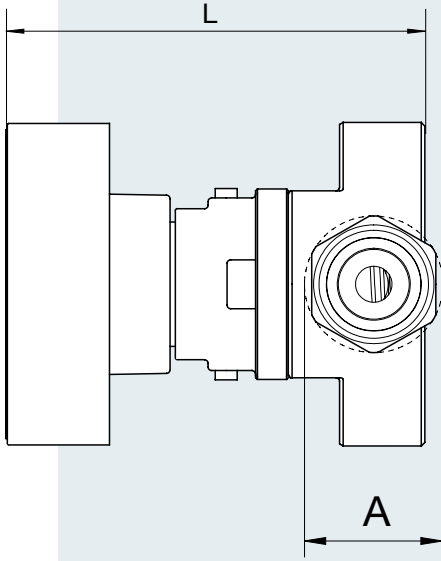






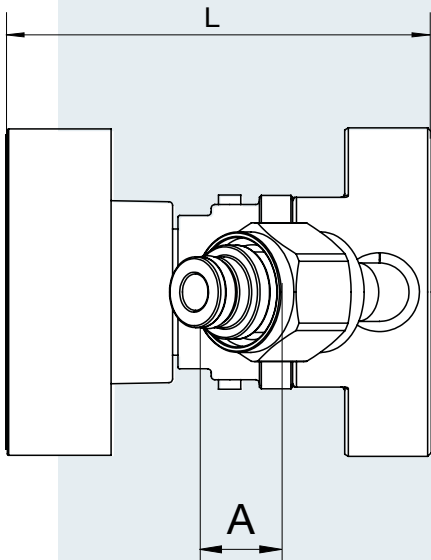
ADAPTERS FOR AIRCRAFTS AND HELICOPTERS

Materials:
Brass EN 12164 - CuZn39Pb3
EPDM-PEROX
AISI
ABS/POM
Aluminium



Adapter c/w SS 8752430 socket and 90° inlet F9/16" UNF

P/N	A	L	GAS
AGTA-F9/16-O	9/16"	57,4	OXYGEN

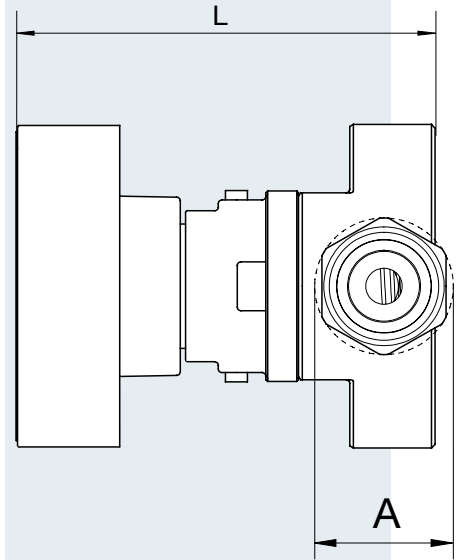


Adapter c/w SS 8752430 socket and 45° inlet F9/16" UNF

P/N	A	L	GAS
AGTA-F9/16-O/1	9/16"	57,4	OXYGEN

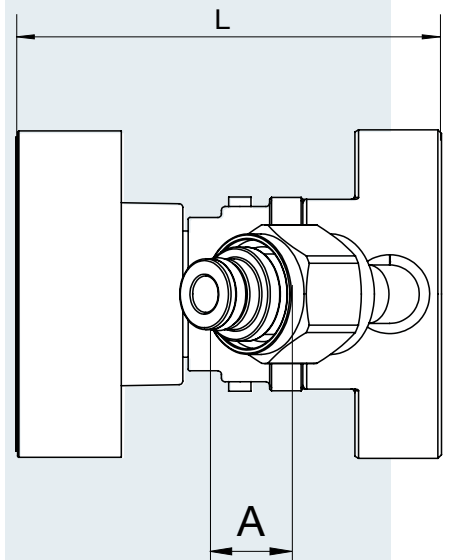
Adapter c/w BS 5682:2015 socket and 90° inlet F9/16" UNF

P/N	A	L	GAS
AGTB-F9/16-O	9/16"	57,4	OXYGEN



Adapter c/w BS 5682:2015 socket and 45° inlet F9/16" UNF

P/N	A	L	GAS
AGTB-F9/16-O/1	9/16"	57,4	OXYGEN

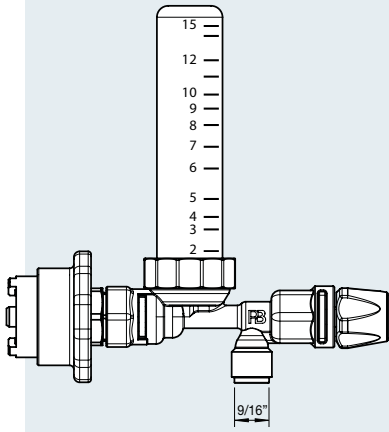




NEW 2017

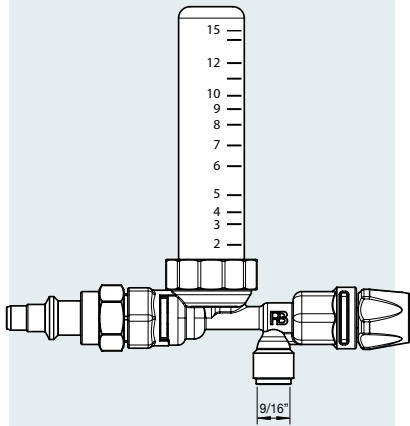


FLOW-METER



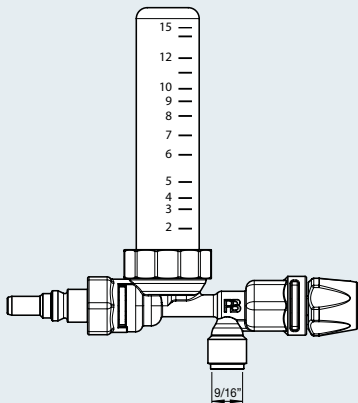
AFNOR NFS 90-116/FD S 90-119

P/N	PRESSURE	SCALE
IGTF-O-FL4	4 BAR	15 L/MIN
IGTF-O-FL5	5 BAR	15 L/MIN



ENV 737-6

P/N	PRESSURE	SCALE
IGTE-O-FL4	4 BAR	15 L/MIN
IGTE-O-FL5	5 BAR	15 L/MIN



SS 875 24 30

P/N	PRESSURE	SCALE
IGTA-O-FL4	4 BAR	15 L/MIN
IGTA-O-FL5	5 BAR	15 L/MIN

BS 5682:2015

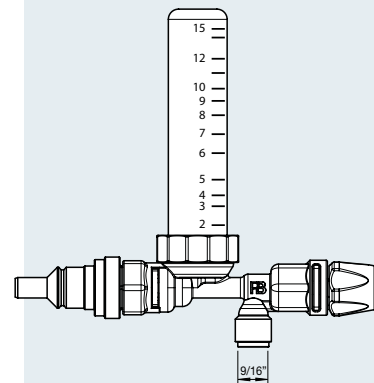
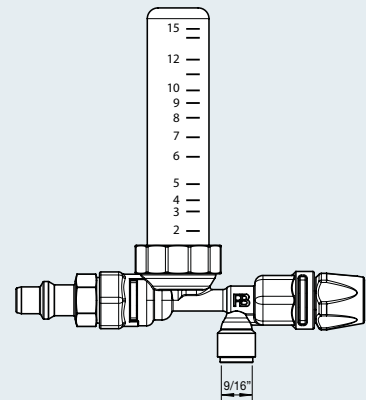
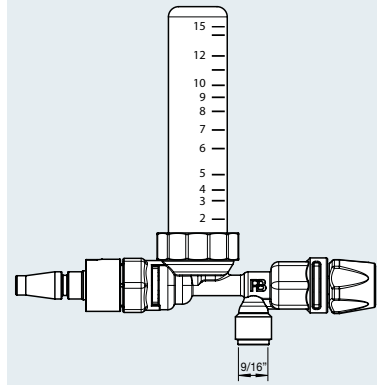
P/N	PRESSURE	SCALE
IGTB-O-FL4	4 BAR	15 L/MIN
IGTB-O-FL5	5 BAR	15 L/MIN

DIN 13260-2

P/N	PRESSURE	SCALE
IGTD-O-FL4	4 BAR	15 L/MIN
IGTD-O-FL5	5 BAR	15 L/MIN

UNI 9507

P/N	PRESSURE	SCALE
IGT60A-O-FL4	4 BAR	15 L/MIN
IGT60-O-FL5	5 BAR	15 L/MIN





FLOW-METER C/W HUMIDIFIER

Pres Block flow-meters for medical gases are medical devices "CE" marked, built to comply with 93/42/EEC European directive and EN ISO 15002 standard.

Materials

Brass EN12164 - CW614N nickel plated;
AISI;
ABS / PA / PC / POM;
peroxidic EPDM;
label made of self-adhesive polyester

Technical specs

According to EN ISO 15002

Transport and storage

-15 ÷ +50 °C

Working temperatures

-20 ÷ +60 °C

Humidity 10 ÷ 90 %

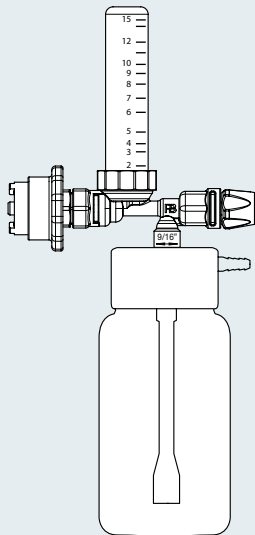
Atmospheric pressure

700 ÷ 1060 hPa.PA/POM

NEW

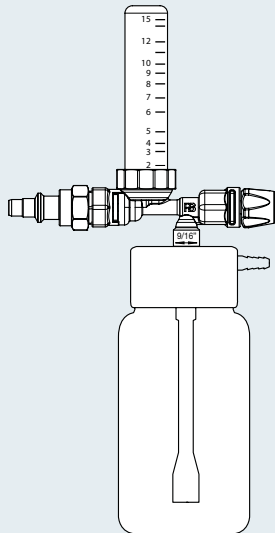
2017





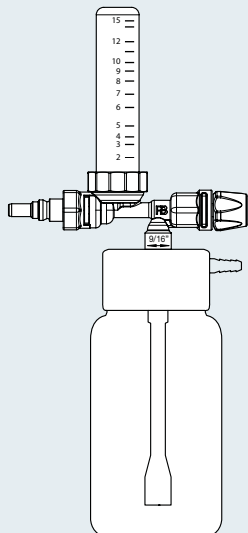
AFNOR NFS 90-116/FD S 90-119

P/N	VOLUME	PRESSURE	SCALE
IGTF-O-FL4TR/2	120 ML	4 BAR	15 L/MIN
IGTF-O-FL4CH/2	210 ML	4 BAR	15 L/MIN
IGTF-O-FL4MAK/3	285 ML	4 BAR	15 L/MIN
IGTF-O-FL4MAK/5	355 ML	4 BAR	15 L/MIN
IGTF-O-FL5CH/2	210 ML	5 BAR	15 L/MIN
IGTF-O-FL5TR/2	120 ML	5 BAR	15 L/MIN
IGTF-O-FL5MAK/3	285 ML	5 BAR	15 L/MIN
IGTF-O-FL5MAK/5	355 ML	5 BAR	15 L/MIN



ENV 737-6

P/N	VOLUME	PRESSURE	SCALE
IGTE-O-FL4TR/2	120 ML	4 BAR	15 L/MIN
IGTE-O-FL4CH/2	210 ML	4 BAR	15 L/MIN
IGTE-O-FL4MAK/3	285 ML	4 BAR	15 L/MIN
IGTE-O-FL4MAK/5	355 ML	4 BAR	15 L/MIN
IGTE-O-FL5CH/2	210 ML	5 BAR	15 L/MIN
IGTE-O-FL5TR/2	120 ML	5 BAR	15 L/MIN
IGTE-O-FL5MAK/3	285 ML	5 BAR	15 L/MIN
IGTE-O-FL5MAK/5	355 ML	5 BAR	15 L/MIN



SS 875 24 30

P/N	VOLUME	PRESSURE	SCALE
IGTA-O-FL4TR/2	120 ML	4 BAR	15 L/MIN
IGTA-O-FL4CH/2	210 ML	4 BAR	15 L/MIN
IGTA-O-FL4MAK/3	285 ML	4 BAR	15 L/MIN
IGTA-O-FL4MAK/5	355 ML	4 BAR	15 L/MIN
IGTA-O-FL5CH/2	210 ML	5 BAR	15 L/MIN
IGTA-O-FL5TR/2	120 ML	5 BAR	15 L/MIN
IGTA-O-FL5MAK/3	285 ML	5 BAR	15 L/MIN
IGTA-O-FL5MAK/5	355 ML	5 BAR	15 L/MIN

BS 5682:2015

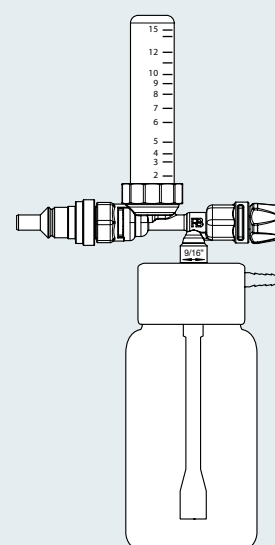
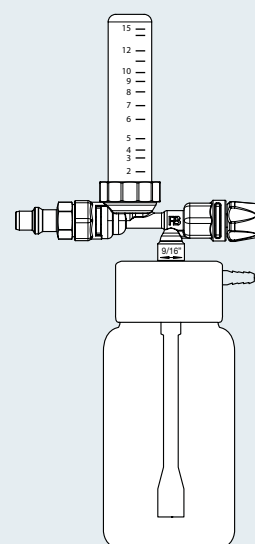
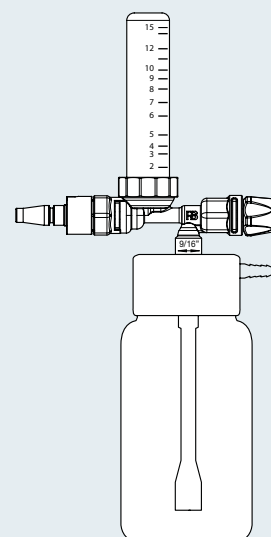
P/N	VOLUME	PRESSURE	SCALE
IGTB-O-FL4TR/2	120 ML	4 BAR	15 L/MIN
IGTB-O-FL4CH/2	210 ML	4 BAR	15 L/MIN
IGTB-O-FL4MAK/3	285 ML	4 BAR	15 L/MIN
IGTB-O-FL4MAK/5	355 ML	4 BAR	15 L/MIN
IGTB-O-FL5CH/2	210 ML	5 BAR	15 L/MIN
IGTB-O-FL5TR/2	120 ML	5 BAR	15 L/MIN
IGTB-O-FL5MAK/3	285 ML	5 BAR	15 L/MIN
IGTB-O-FL5MAK/5	355 ML	5 BAR	15 L/MIN

DIN 13260-2

P/N	VOLUME	PRESSURE	SCALE
IGTD-O-FL4TR/2	120 ML	4 BAR	15 L/MIN
IGTD-O-FL4CH/2	210 ML	4 BAR	15 L/MIN
IGTD-O-FL4MAK/3	285 ML	4 BAR	15 L/MIN
IGTD-O-FL4MAK/5	355 ML	4 BAR	15 L/MIN
IGTD-O-FL5CH/2	210 ML	5 BAR	15 L/MIN
IGTD-O-FL5TR/2	120 ML	5 BAR	15 L/MIN
IGTD-O-FL5MAK/3	285 ML	5 BAR	15 L/MIN
IGTD-O-FL5MAK/5	355 ML	5 BAR	15 L/MIN

UNI 9507

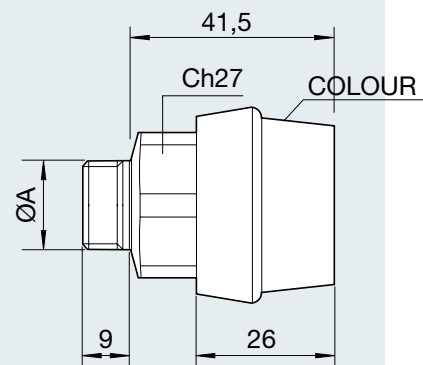
P/N	VOLUME	PRESSURE	SCALE
IGT60-O-FL4TR/2	120 ML	4 BAR	15 L/MIN
IGT60-O-FL4CH/2	210 ML	4 BAR	15 L/MIN
IGT60-O-FL4MAK/3	285 ML	4 BAR	15 L/MIN
IGT60-O-FL4MAK/5	355 ML	4 BAR	15 L/MIN
IGT60-O-FL5CH/2	210 ML	5 BAR	15 L/MIN
IGT60-O-FL5TR/2	120 ML	5 BAR	15 L/MIN
IGT60-O-FL5MAK/3	285 ML	5 BAR	15 L/MIN
IGT60-O-FL5MAK/5	355 ML	5 BAR	15 L/MIN



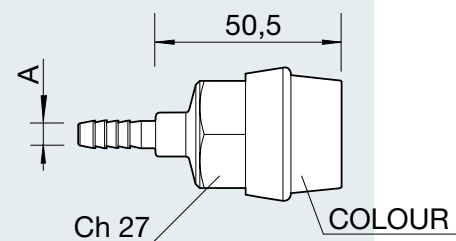


MINI SOCKET
FOR FLOW-METER

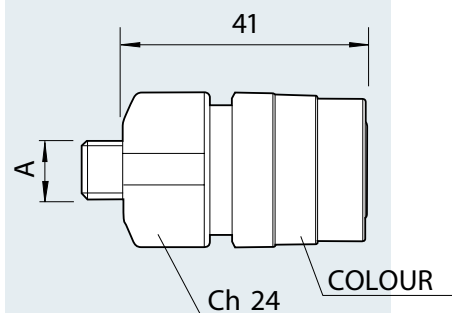
DIN mini socket male threaded			
P/N	ØA	GAS	COLOUR
VGTD-O-M1/4	1/4"	OXYGEN	WHITE
VGTD-O-M1/4/01		OXYGEN	BLACK
VGTD-A4-M1/4	1/4"	AIR	BLACK
VGTD-V-M1/4	1/4"	VACUUM	YELLOW
VGTD-V-M1/4/001		VACUUM	BLACK
VGTD-P-M1/4	1/4"	NITROUS OXIDE	BLUE
VGTD-C-M1/4	1/4"	CARBON DIOXIDE	GREY
VGTD-O-M3/8	3/8"	OXYGEN	WHITE

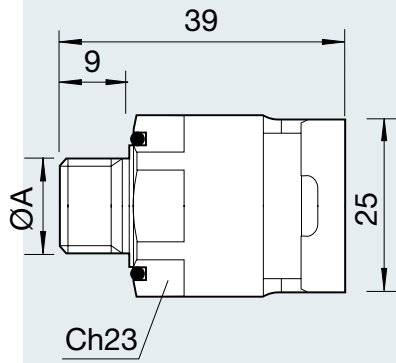


DIN mini socket with barb end			
P/N	A	GAS	COLOUR
VGTD-O-PG6	6	OXYGEN	WHITE
VGTD-A4-PG6	6	AIR	BLACK



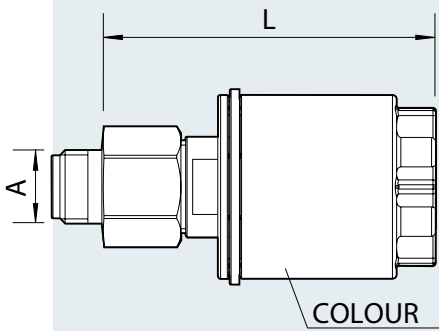
SS mini socket male threaded			
P/N	A	GAS	COLOUR
VGTA-O-M10X1	M10X1	OXYGEN	WHITE
VGTA-A4-M10X1	M10X1	AIR	BLACK
VGTA-P-M10X1	M10X1	NITROUS OXIDE	BLUE
VGTA-C-M10X1	M10X1	CARBON DIOXIDE	GREY
VGTA-O-M1/4	1/4"	OXYGEN	WHITE
VGTA-O-M1/4/001	1/4"	OXYGEN	BLACK
VGTA-A4-M1/4	1/4"	AIR	BLACK
VGTA-V-M1/4	1/4"	VACUUM	YELLOW





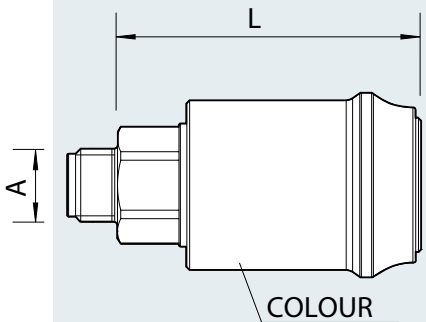
AFNOR mini socket male threaded

P/N	B	ØA	GAS
VGTF-O-M1/4	6,5	1/4"	OXYGEN
VGTF-A4-M1/4	6,5	1/4"	AIR
VGTF-O-M3/8	10	3/8"	OXYGEN
VGTF-A4-M3/8	10	3/8"	AIR
VGTF-V-M3/8	10	3/8"	VACUUM



BS mini socket male threaded

P/N	A	L	GAS	COLOUR
VGTS-O-M1/4/V	1/4"	60	OXYGEN	WHITE
VGTS-O-M1/4/V/1	1/4"	60	OXYGEN	BLACK

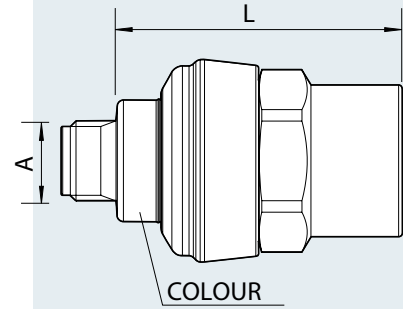


JIS mini socket male threaded

P/N	A	L	GAS	COLOUR
VGTS-O-M1/4	1/4"	54,5	OXYGEN	WHITE
VGTS-O-M1/4/01	1/4"	54,5	OXYGEN	BLACK

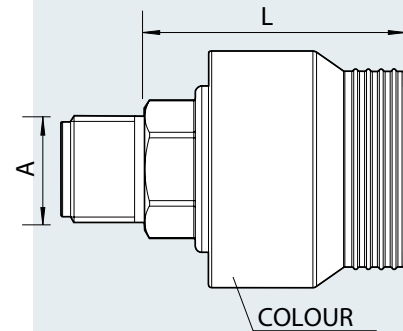
AS mini socket male threaded

P/N	A	L	GAS	COLOUR
VGTAS-O-M1/4	1/4"	47	OXYGEN	WHITE
VGTAS-O-M1/4/01	1/4"	47	OXYGEN	BLACK



UNI mini socket male threaded

P/N	A	L	GAS	COLOUR
VGTI60-O-M1/4	1/4"	56	OXYGEN	WHITE
VGTI60-O-M3/8	3/8"	41	OXYGEN	BLACK
VGTI60-O-M1/4/1	1/4"	56	OXYGEN	BLACK



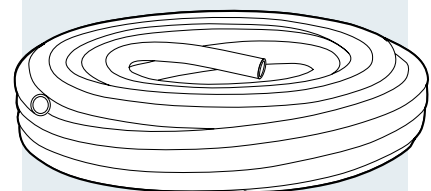


FLEXIBLE HOSES FOR MEDICAL GAS

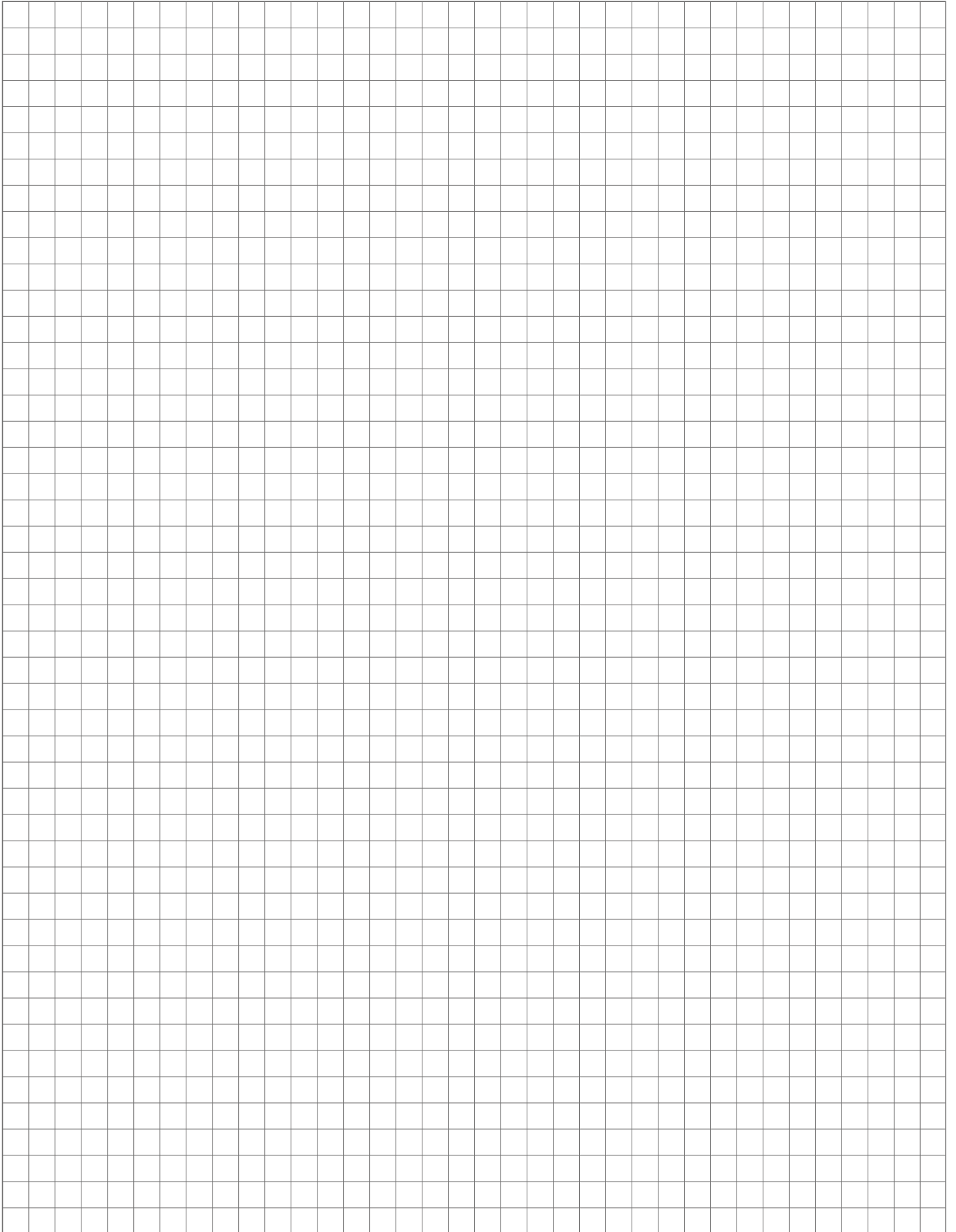
Flexible hose for EN ISO 5359 assemblies

P/N	DISTINCTIVE COLOUR	GAS
NTPB6X12-O	WHITE	OXYGEN
NTPB8X14-V	YELLOW	VACUUM
NTPB6X12-A4	WHITE-BLACK	AIR
NTPB6X12-P	BLUE	NITROUS OXIDE
NTPB6X12-C	GREY	CARBON DIOXIDE
NTPB6X12-A8	WHITE-BLACK	AIR - 800
NTPB6X12-OA	WHITE-BLACK	OXYGEN - AIR
NTPB6X12-NC	BLACK	-

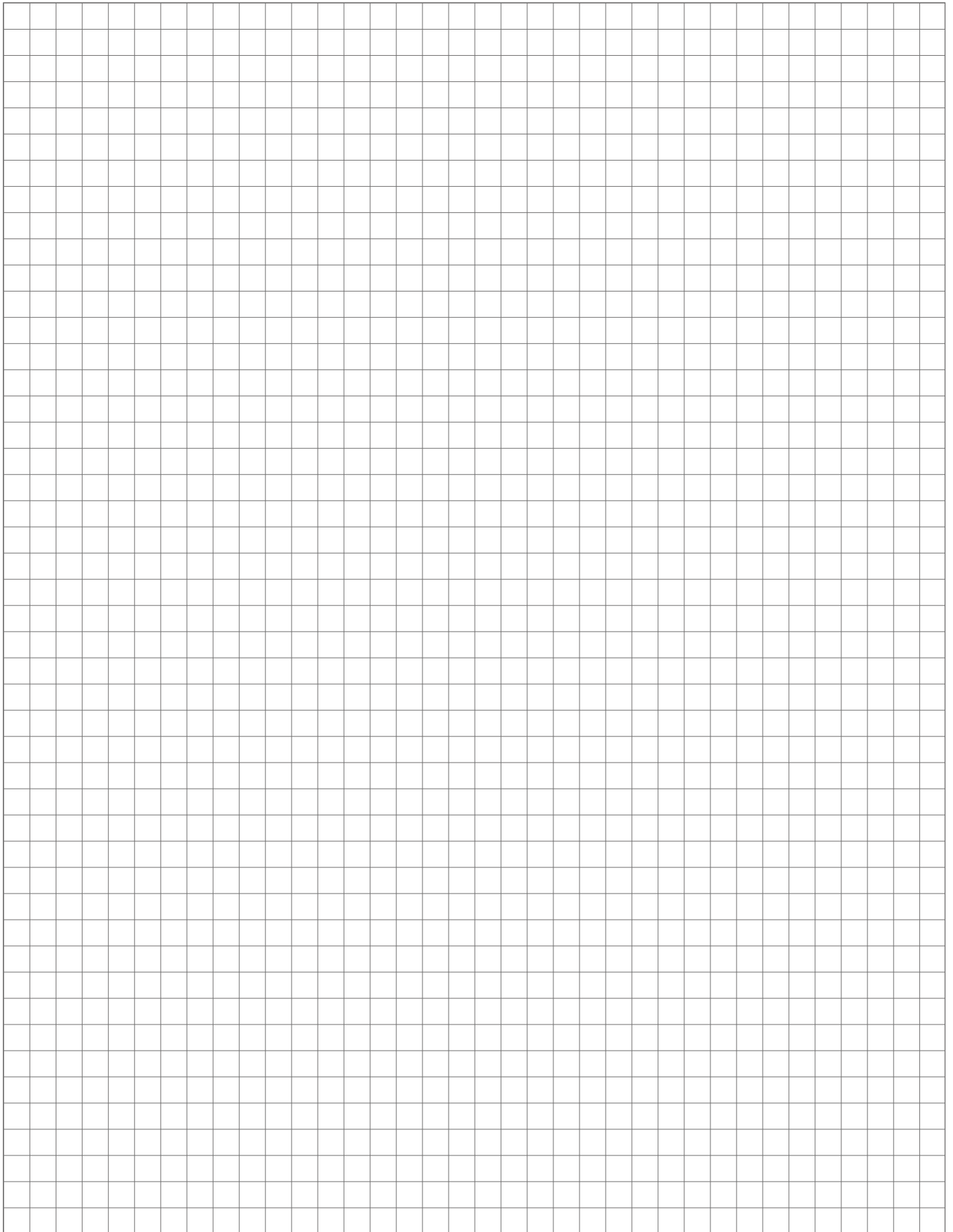
50 meters coil. Without DEHP.



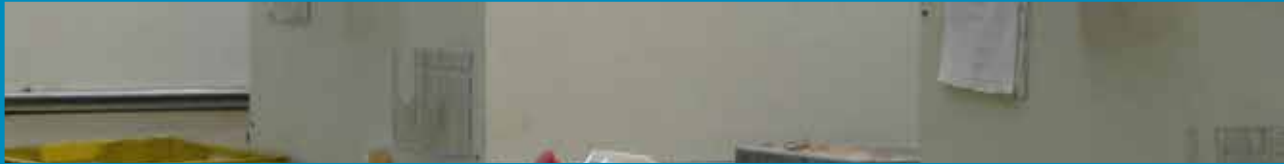
NOTE:



NOTE:







PRESBLOCK

www.presblock.com

Pres Block S.p.A.

Via Alpignano, 151 - 155
10040 Caselette (TO) Italia
tel +39 011.9688055
fax +39 011.9688668